


1		2		3		4		5		6		7		8		9		10		11		
No:91040360		1 Geräteliste																				
A	Teil	Beschreibung										Sachnummer	Position									
	A1	Steuerung Arbeiten Master controller working master										97168173	12.3D, 10.1C, 10.5D, 1...									
	A2	Steuerung Anzeige controller display										97160949	21.2A, 9.1C, 9.5D, 15....									
	A4	Steuerung Fahren Front 36V/250A drive controller front 36V/250A										92042746	15.5D, 15.1D									
	A5	Steuerung Fahren Heck 36V/250A drive controller rear 36V/250A										92042753	16.3D, 16.1C									
B	A6	Steuerung Arbeiten Slave controller working slave										97168173	21.6A, 10.7C, 10.8D, 1...									
	A9	Steuerung Lenken controller steering										97152623	22.2E, 22.1D									
	A10	Steuerung Chemiepumpe controller chemical pump										97148605	21.3E, 21.3D									
	A20	Fleetrekorder fleetrecorder										92058015	20.2D, 20.1D									
	B3	Fahrgeber accelerator										97131882	15.2F									
C	B4	Drucksensor Frischwassertank pressure sensor fresh water tank										92013481	10.7A									
	B5	Drucksensor Schmutzwassertank pressure sensor dirty water tank										92013481	10.8A									
	B18	Durchflussmengenmesser flow meter										90596529	10.5A									
	B20	I-Button reader I-Button reader										97131429	20.3D, 20.3D									
	B27	Kamera camera										92701325	22.6D									
D	C1	Entstörkondensator 220nF suppressor capacitor 220nF										90288879	9.4F									
	E1	Arbeitsscheinwerfer links working headlight left										92080324	17.1D									
	E2	Blitzleuchte Fahrerschilddach flashlight overhead cover										97084222	17.4F									
	E5	Mehrkammerleuchte hinten links combination light rear left										92042811	19.4E									
	E6	Mehrkammerleuchte hinten rechts combination light rear right										92042811	19.6E									
E	E7	Blinker vorne links indicator front left										92073865	19.1F									
	E8	Blinker vorne rechts indicator front right										92073865	19.6F									
	E9	Blinker links seitlich indicator side left										92073865	19.2F									
	E10	Blinker rechts seitlich indicator side right										92073865	19.7F									
F	E11	Arbeitsscheinwerfer rechts working headlight right										92080324	17.2D									
	E12	Arbeitsscheinwerfer hinten working headlight rear										92080324	17.2G									
	E14	BlueSpot Lenkturm LED bluespot steering unit LED										97162085	17.7F									
	E15	BlueSpot hinten LED bluespot rear LED										97162085	17.6F									
	E16	Blue Spot am Halter LED blue spot at holder LED										97162085	17.8F									
G	E17	BlueSpot FSD LED bluespot overhead cover LED										97162085	17.9F									
	E18	Abblendscheinwerfer links LED driving light left LED										92053073	19.2F									
	E19	Abblendscheinwerfer rechts LED driving light right LED										92053073	19.8F									
	E21	Blitzleuchte am Stab flashlight at bar										97084222	17.5F									

1		2										3		4									
A	Teil	Beschreibung										Sachnummer	Position										
	E22	Positionsluchte links vorne position light front left										97155436	19.3F										
	E23	Positionsluchte rechts vorne position light front right										97155436	19.8F										
	F1	Sicherung Schlüsselschalter 7,5A fuse keyswitch 7,5A										19731587	7.5E, 7.2D										
	F2	Sicherung Steuerung A1 125A fuse controller A1 125A										19731140	7.2D, 7.2D										
	F3	Sicherung Fahren 355A fuse drive 355A										19731372	7.1D, 7.1D, 7.1D										
	F8	Sicherung Steuerung A6 125A fuse Steuerung A6 125A										19731140	7.2D, 7.3D										
	F9	Sicherung Lenken 30A fuse steering 30A										19731595	7.3D, 7.4D										
	F10	Sicherung Hochdruckreiniger 80A fuse high-pressure cleaner 80A										19731520	7.4D, 7.4D										
	F11	Sicherung StVZO 15A fuse road traffic act 15A										19731207	7.7E										
	F19	Sicherung Hupe / Fleet 5A fuse horn / fleet 5A										19731272	7.6E										
	F20	Sicherung Anzeige 5A fuse display 5A										19731272	7.6E										
	F30	Sicherung Positionsluchte li 5A fuse position light left 5A										19731181	19.3B										
	F31	Sicherung Positionsluchte re 5A fuse position light right 5A										19731181	19.4B										
	F32	Sicherung Abblendlicht 5A fuse low-beam headlights 5A										19731181	19.2B										
	F33	Sicherung Bremslicht 5A fuse brake light 5A										19731181	18.6B										
	F34	Sicherung Rückfahrlicht 5A fuse backup light 5A										19731181	18.6B										
	F35	Sicherung Blinkgeber 5A fuse flasher unit 5A										19731181	18.5B										
	G1	Batterie 36V 320A 810Ah battery 36V 320A 810Ah										92016385	7.2A										
	G1	Batterie 36V 320A 540Ah battery 36V 320A 540Ah										92015270	7.4A										
	H1	Hupe 335Hz horn 335Hz										90194911	9.4F										
	K1	Hauptschütz 36V main contactor 36V										92004282	7.3F, 7.2F, 7.2F, 7.2F, ...										
	K2	Relais Fahrsteuerung Front relay drive controller front										92027176	15.1B										
	K3	Relais Fahrsteuerung Heck relay drive controller rear										92027176	16.1B										
	K8	Umpolungsrelais 36V turn-over relay 36V										90522533	14.6F										
	K20	Blinkgeber flasher unit										92076470	18.7F										
	K29	Relais Pumpe HDR relays high pressure pump										90267949	20.5E										
	K31A	Micro-Relais 24V micro-relay 24V										90567777	18.2D										
	K31B	Micro-Relais 24V micro-relay 24V										90567777	18.8E										
	M1	Fahrmotor Front drive motor front										97151526	15.5G										
	M2	Fahrmotor Heck drive motor rear										92030733	16.5G										
	M3	Tellerbürstenmotor links TB1230 plate brush motor left TB1230										90577248	11.2G										
	M3	Tellerbürstenmotor links TB1520 plate brush motor left TB1520										92012830	12.2G										

Freigabevermerk:		1	*/	4320-82	08.12.2020	Ri	Date	Name	B400 R	Name	Schaltplan B400 R / circuit diagram B400 R		 Hako GmbH D-23840 Bad Oldesloe		Drawing Number		A2
		No.	Number appears	Change No.	Date	Name	Printed	18.03.2021	4315-65	For this drawing we reserve all rights (acc. DIN ISO 16016)		Engineering Base 6.9.1		Type 7437	Dept. DS	No. of Sh. 27	Sheet 1

No:91040360

1 Geräteliste

Teil	Beschreibung	Sachnummer	Position
M4	Tellerbürstenmotor rechts TB1230 plate brush motor right TB1230	90577248	11.4G
M4	Tellerbürstenmotor rechts TB1520 plate brush motor right TB1520	92012830	12.3G
M5	Tellerbürstenmotor mitte TB1230 plate brush motor middle TB1230	90577248	11.5G
M5	Tellerbürstenmotor mitte TB1520 plate brush motor middle TB1520	92012830	12.4G
M6	Hydraulikmotor 36V hydraulic motor 36V	97162549	14.8F
M7	Wasserrecyclingpumpe water recycling pump	97166722	21.5E
M8	Wasserpumpe Water pump	97166722	10.5G
M9	Hubelement Bürstendeck 24V actuator brush deck 24V	92023332	11.2B
M10	Hubelement Saugfuß actuator squeegee	92005727	11.4B
M13	Hubelement Kehrwalze actuator sweeping broom	92023332	13.6A
M13	Hubelement Kehrwalze actuator sweeping broom	92023332	14.6A
M16	Saugmotor 36V suction motor 36V	97142475	11.6B
M17	Saugmotor 36V suction motor 36V	97142475	11.7B
M19	Motor Seitenbesen rechts motor side broom right	92019017	13.4A
M19	Motor Seitenbesen rechts motor side broom right	92019017	14.3A
M20	Motor Seitenbesen links motor side broom left	92014455	13.5A
M20	Motor Seitenbesen links motor side broom left	92014455	14.4A
M21	Motor Kehrwalze motor sweeping broom	92022524	13.2A
M21	Motor Kehrwalze 36V 600W motor sweeping broom 36V 600W	92022524	14.2A
M24	Rüttelmotor 36V vibration motor 36V	92072560	13.8A
M24	Rüttelmotor 36V vibration motor 36V	92072560	14.7A
M25	Saugmotor 36V suction motor 36V	92072560	13.8A
M25	Saugmotor 36V suction motor 36V	92072560	14.8A
M26	Lenkmotor steering motor	92036631	22.3F
M27	Hubelement Behälter drehen 24V actuator container move 24V	92037274	14.5F
M29	Hochdruckpumpe high pressure pump	92048305	20.6G
P2	Signalgeber buzzer	90324260	10.4E
P27	Monitor display	90850876	22.6D
R20	Lenkwinkelpotentiometer 5kΩ steer angle potentiometer 5kΩ	92017995	16.2F
R29	Widerstand R1k resistor R1k	19245018	20.8D
R102	Widerstand 2,7kΩ resistor 2,7kΩ	19245258	20.4C
S1	Schlüsselschalter key switch	90323437	8.2C

Teil	Beschreibung	Sachnummer	Position
S2	Schalter Bremse entriegelt switch brake released	97157512	16.4F
S5	Sitzschalter seat switch	90690694	10.5A
S6	Warnblinkschalter 12V hazard warning switches 12V	19255546	18.3E
S11	Schlitzschalter Behälter 30° switch container position 30°	97157512	14.2G
S12	Schlitzschalter Behälter unten switch container lowered	97157512	14.3G
S13	Schlitzschalter Behälter zu switch container closed	97157512	14.3G
S15	Fussbremstaster foot brake switch	90472176	15.4F
S20	Lenkstockschalter Stalk switch	97164750	18.6E
S21	Schalter Bremse lösen release brake switch	90285768	15.9E
S29	Taster HDR EIN switch HDR on	97100986	20.7F
T1	DC/DC Wandler 18-54V - 12,5V DC/DC converter 18-54V - 12,5V	92076488	18.2F
V1	Diode 1A diode 1A	90194879	9.3F
V2	Freilaufdiode 1A free-wheeling diode 1A	90194879	15.8G
X43	Massebolzen M10 Ground point M10	19789353	8.10F, 8.8E, 8.8F, 8.8F...
X97	USB 4-pol. Amphenol USB 4-pol. Amphenol	92005412	10.2G
Y1	Wasserventil water valve	90435595	10.6E
Y3	Ventil Wasserrecycling valve waterrecycling	90435595	21.6E

Freigabevermerk:

1

/

4320-82

08.12.2020

Ri

Drawn

12.03.2020

Ri

Verified

18.03.2021

B400 R

Name

Schaltplan B400 R / circuit diagram B400 R

Replacement for

4315-65

For this drawing we reserve all rights (acc. DIN ISO 16016)

Engineering Base 6.9.1



Hako GmbH
D-23840 Bad Oldesloe

Drawing Number


91040360

No. of Sh. 27


Sheet 2

A2

1		2		3		4		5		6		7		8		9		10		11	
No: 91040360		3 Pin-Splice																			
A	Name	Position	Name	Position	Name	Position	Name	Position	Name	Position	Name	Position	Name	Position	Name	Position	Name	Position	Name	Position	A
	A1/X1/1	11.1C	A1/X13/5		A1/X16/3	22.3B	A2/X105/5	9.4C	A4/B+/1	15.1D	A5/M3/1	16.5E	A6/X13/2	22.5B	A6/X15/24	14.2E	A20/3	20.2E	E6/4	19.6E	
	A1/X2/1	11.1D	A1/X13/6		A1/X16/4		A2/X105/6		A4/B-/1	15.1E	A6/X1/1	11.7C	A6/X13/3		A6/X16/1	13.1D	A20/4	20.2D	E6/5	19.6E	
	A1/X3/1	11.3D	A1/X13/7	11.3C	A1/X16/5		A2/X105/7		A4/M1/1	15.5E	A6/X2/1	11.8D	A6/X13/4	22.6B	A6/X16/2		A20/5		E6/6	19.7E	
	A1/X3/2	12.2D	A1/X13/8	10.4D	A1/X16/6		A2/X105/8		A4/M2/1	15.6E	A6/X3/1	11.7D	A6/X13/5		A6/X16/3		A20/6	20.1E	E7/1	19.1F	
	A1/X4/1	11.2D	A1/X13/9	20.7B	A1/X16/7	22.4B	A2/X106/1	9.5E	A4/M3/1	15.6E	A6/X3/2	12.4D	A6/X13/6	22.6B	A6/X16/4		A20/7	20.2D	E7/2	19.1G	
	A1/X4/2	12.2D	A1/X13/10	15.6B	A1/X16/8		A2/X109/1	15.6B	A5/A/1		A6/X4/1	11.7D	A6/X13/7	13.6D	A6/X16/5	13.1E	A20/8		E8/1	19.6F	
B	A1/X5/1	11.4D	A1/X13/11	15.5B	A1/X18/1	10.2C	A2/X109/2	15.7B	A5/A/2		A6/X4/2	12.5D	A6/X13/8	22.5B	A6/X16/6		A20/9	20.2D	E8/2	19.6G	
	A1/X5/2	12.3D	A1/X13/12		A1/X18/2	10.3C	A2/X109/3	15.7B	A5/A/3		A6/X5/1	13.2D	A6/X13/9		A6/X16/7		A20/10		E9/1	19.2F	
	A1/X6/1	11.4D	A1/X14/1	10.1C	A1/X18/3	10.3C	A2/X109/4	15.7B	A5/A/4	16.5C	A6/X5/2	14.2D	A6/X13/10	18.8B	A6/X16/8		B3/1	15.2F	E9/2	19.2G	
	A1/X6/2	12.3D	A1/X14/2	10.2C	A1/X18/4		A4/A/1	15.7D	A5/A/5		A6/X6/1	13.2D	A6/X13/11	18.8B	A6/X18/1	13.1D	B3/2	15.2F	E10/1	19.7F	
	A1/X7/1	11.5C	A1/X14/3	10.2D	A1/X18/5	10.2C	A4/A/2	15.7D	A5/A/6	16.4E	A6/X6/2	14.1D	A6/X13/12		A6/X18/2		B3/3	15.2F	E10/2	19.7G	
	A1/X8/1	11.6C	A1/X14/4	10.2D	A1/X18/6		A4/A/3	15.3E	A5/A/7		A6/X7/1	14.7E	A6/X14/1	13.1D	A6/X18/3		B3/4	15.2F	E11/1	17.2D	
C	A1/X9/1	11.6C	A1/X14/5	10.6C	A1/X18/7	10.3C	A4/A/4	15.5D	A5/A/8	16.2E	A6/X8/1	14.7E	A6/X14/2		A6/X18/4		B3/5	15.2F	E11/2	17.2E	
	A1/X10/1	11.7C	A1/X14/6	10.1D	A1/X18/8		A4/A/5		A5/A/9		A6/X9/1	13.4D	A6/X14/3		A6/X18/5	13.2D	B3/6	15.2F	E12/1	17.2G	
	A1/X11/1	11.2C	A1/X14/7		A1/X20/1		A4/A/6	15.5E	A5/A/10	16.3E	A6/X9/2	14.3D	A6/X14/4		A6/X18/6		B4/1	10.7A	E12/2	17.2G	
	A1/X11/2	11.4C	A1/X14/8	10.2D	A1/X20/2	20.2B	A4/A/7	15.4E	A5/A/11	16.5C	A6/X10/1	13.3D	A6/X14/5	10.8C	A6/X18/7		B4/2	10.7A	E14/1	17.7F	
	A1/X11/3	13.8D	A1/X14/9	10.2D	A1/X20/3		A4/A/8	15.2E	A5/A/12	16.2E	A6/X10/2	14.3D	A6/X14/6	13.1E	A6/X18/8		B4/3	10.7B	E14/2	17.7G	
	A1/X11/4	11.2C	A1/X14/10		A1/X20/4	20.2B	A4/A/9	15.3E	A5/A/13	16.5C	A6/X11/1	13.6D	A6/X14/7		A6/X22/1	10.8D	B4/4	10.7B	E15/1	17.6F	
D	A1/X11/5	11.5C	A1/X15/1		A1/X20/5	20.2B	A4/A/10		A5/A/14	16.2C	A6/X11/2	14.5E	A6/X14/8		A9/J1/1	22.3E	B5/1	10.8A	E15/2	17.6G	
	A1/X11/6	13.9D	A1/X15/2		A1/X20/6		A4/A/11		A5/A/15	16.2C	A6/X11/3	13.8D	A6/X14/9		A9/J1/2	22.3E	B5/2	10.8A	E16/1	17.8F	
	A1/X12/1	10.5D	A1/X15/3	10.7C	A1/X22/1	10.7D	A4/A/12		A5/A/16	16.6E	A6/X11/4	13.6D	A6/X14/10		A9/J1/3	22.3E	B5/3	10.8B	E16/2	17.8G	
	A1/X12/2		A1/X15/4	10.6C	A2/VGND	9.6E	A4/A/13	15.2D	A5/A/17		A6/X11/5	14.5E	A6/X15/1		A9/J1/4	22.3E	B5/4	10.8B	E17/1	17.9F	
	A1/X12/3	10.3D	A1/X15/5	11.3C	A2/X101/1	9.1C	A4/A/14	15.2D	A5/A/18		A6/X11/6	13.8D	A6/X15/2		A9/J1/5		B18/1	10.6A	E17/2	17.9G	
	A1/X12/4	17.4B	A1/X15/6	10.4C	A2/X101/2	9.2C	A4/A/15	15.1D	A5/A/19		A6/X12/1	21.7B	A6/X15/3	10.9C	A9/J1/6		B18/2	10.5A	E18/A	19.2G	
	A1/X12/5	17.2B	A1/X15/7	10.4C	A2/X101/3		A4/A/16	15.6E	A5/A/20		A6/X12/2		A6/X15/4	11.8D	A9/J1/7		B18/3	10.6A	E18/B	19.2F	
E	A1/X12/6	10.6D	A1/X15/8		A2/X101/4	9.2C	A4/A/17	15.3D	A5/A/21	16.4C	A6/X12/3		A6/X15/5	13.7D	A9/J1/8		B20/1	20.3D	E19/A	19.8G	
	A1/X12/7	21.5B	A1/X15/9	20.6B	A2/X101/5	9.3C	A4/A/18		A5/A/22	16.4C	A6/X12/4	17.7B	A6/X15/6	18.7B	A9/J1/9		B20/2	20.4D	E19/B	19.8F	
	A1/X12/8	20.6B	A1/X15/10	20.7B	A2/X101/6	9.3C	A4/A/19		A5/A/23		A6/X12/5	14.6E	A6/X15/7		A9/J1/10	22.3D	B20/3	20.3E	E21/1	17.5F	
	A1/X12/9		A1/X15/11	11.5D	A2/X101/7	9.1E	A4/A/20		A5/A/24		A6/X12/6	18.7B	A6/X15/8	13.5D	A9/J1/11		B20/4	20.4E	E21/2	17.5G	
	A1/X12/10	17.6B	A1/X15/12	11.5D	A2/X101/8		A4/A/21	15.3D	A5/A/25		A6/X12/7	18.7B	A6/X15/9	13.5D	A9/J1/12	22.2D	C1/1	9.4F	E22/1	19.3F	
	A1/X12/11	10.5D	A1/X15/13		A2/X104/1		A4/A/22	15.3D	A5/A/26		A6/X12/8		A6/X15/10	14.3E	A9/J1/13		C1/2	9.4F	E22/2	19.3G	
F	A1/X12/12		A1/X15/14		A2/X104/2		A4/A/23		A5/A/27	16.6E	A6/X12/9	14.6E	A6/X15/11	14.3E	A9/J1/14	22.2D	E1/1	17.1D	E23/1	19.8F	
	A1/X12/13	10.3D	A1/X15/15	10.7C	A2/X104/3		A4/A/24	15.4D	A5/A/28	16.6E	A6/X12/10	17.8B	A6/X15/12	14.2E	A9/J1/15	22.3D	E1/2	17.1E	E23/2	19.8G	
	A1/X12/14	17.4B	A1/X15/16	10.5C	A2/X104/4		A4/A/25	15.4D	A5/A/29	16.6E	A6/X12/11	21.7B	A6/X15/13		A9/J1/16		E2/1	17.4F	F1/1	7.5E	
	A1/X12/15	17.2B	A1/X15/17		A2/X104/5	9.3E	A4/A/26		A5/A/30	16.6C	A6/X12/12		A6/X15/14		A9/J3/1	22.3E	E2/2	17.4G	F1/2	7.5E	
	A1/X12/16	10.6D	A1/X15/18	10.5C	A2/X104/6	21.3B	A4/A/27	15.6E	A5/A/31	16.7E	A6/X12/13		A6/X15/15	10.8C	A9/J3/2	22.2E	E5/1	19.4F	F2/1/1	7.2D	
	A1/X12/17	21.6B	A1/X15/19	10.5C	A2/X104/7		A4/A/28	15.7E	A5/A/32		A6/X12/14	17.7B	A6/X15/16	11.8D	A9/J3/3	22.2E	E5/2	19.4E	F2/2/1	7.2D	
	A1/X12/18	20.6B	A1/X15/20		A2/X104/8	21.3B	A4/A/29	15.7E	A5/A/33		A6/X12/15	14.5E	A6/X15/17		A9/J3/4	22.2D	E5/3	19.5E	F3/2/1	7.1D	
G	A1/X12/19		A1/X15/21	20.6B	A2/X104/9		A4/A/30		A5/A/34	16.7E	A6/X12/16	18.7B	A6/X15/18	18.8B	A10/X1/1	21.3D	E5/4	19.4E	F3/2/2	7.1D	
	A1/X12/20	17.6B	A1/X15/22	20.7B	A2/X104/10	9.3E	A4/A/31	15.7E	A5/A/35	16.7E	A6/X12/17	18.7B	A6/X15/19		A10/X1/2	21.3D	E5/5	19.4E	F8/2/1	7.3D	
	A1/X13/1	11.3C	A1/X15/23	11.5D	A2/X105/1	9.3C	A4/A/32		A5/B+/1	16.1C	A6/X12/18		A6/X15/20	13.5D	A10/X1/3	21.4D	E5/6	19.5E	F9/1/1	7.4D	
	A1/X13/2	10.4D	A1/X15/24	11.6D	A2/X105/2	9.4C	A4/A/33		A5/B-/1	16.1E	A6/X12/19	14.5E	A6/X15/21	13.5D	A10/X1/4	21.4D	E6/1	19.6E	F9/2/1	7.4D	
	A1/X13/3	20.7B	A1/X16/1		A2/X105/3		A4/A/34	15.8E	A5/M1/1	16.5E	A6/X12/20	17.8B	A6/X15/22	14.4E	A20/1	20.1D	E6/2	19.6E	F10/2/1	7.4D	
	A1/X13/4		A1/X16/2		A2/X105/4		A4/A/35	15.7E	A5/M2/1	16.5E	A6/X13/1	13.7D	A6/X15/23	14.3E	A20/2	20.2D	E6/3	19.7E	F11/1	7.7E	

Freigabevermerk:		1	*/*	4320-82	08.12.2020	Ri	Date	Name	B400 R	Name	Schaltplan B400 R / circuit diagram B400 R				Drawing Number		A2	
							Drawn	09.10.2020	Ri	Replacement for		Engineering Base 6.9.1		Type 7437 Dept. DS		91040360		
							Verified			4315-65		For this drawing we reserve all rights (acc. DIN ISO 16016)		No. of Sh. 27		Sheet 3		
1	2	3	4	5	6	7	8	9	10	11								

1		2		3		4		5		6		7		8		9		10		11	
No: 91040360		3 Pin-Splice																			
A	Name	Position	Name	Position	Name	Position	Name	Position	Name	Position	Name	Position	Name	Position	Name	Position	Name	Position	Name	Position	A
	F11/2	7.7E	K20/2	18.7G	M2/X3/2	16.6G	M13.1/6	13.7A	M26/M-	22.3G	S11/2	14.2G	W3/XS7	22.5C	W79/XS45	18.4G	X20/ST/2	11.5E	X29/ST/9	13.7C	
	F19/1	7.6E	K20/3	18.7G	M3.1/N	11.3G	M13.2/1	14.6A	M26/X1/1	22.3F	S11/3	14.2G	W3/XS8	9.3B	W79/XS46	18.5A	X20/ST/2	12.6E	X29/ST/9	14.6C	
	F19/2	7.6E	K20/4	18.8F	M3.1/P	11.2G	M13.2/2	14.6B	M26/X1/2	22.3F	S12/1	14.3G	W3/XS9	9.5B	W79/XS47	19.3A	X20/ST/3	11.5E	X29/ST/10	13.5C	
	F20/1	7.6E	K20/5	18.7F	M3.1/S1/1	11.3G	M13.2/3	14.6B	M26/X1/3	22.3F	S12/2	14.3G	W3/XS10	9.6B	W79/XS49	19.3C	X20/ST/3	12.6E	X29/ST/10	14.5C	
	F20/2	7.6E	K20/6	18.7F	M3.1/S1/2	11.3G	M13.2/4	14.6A	M26/X1/4	22.3F	S12/3	14.3G	W3/XS11	9.4B	W79/XS50	19.2C	X20/ST/4	11.5E	X29/ST/11	13.5C	
	F30/1	19.3B	K20/7	18.7G	M3.2/N	12.2G	M13.2/5	14.6B	M26/X1/5		S13/1	14.3G	W3/XS12	9.5B	W79/XS52	19.5C	X20/ST/4	12.6E	X29/ST/11	14.5C	
	F30/2	19.3B	K20/8	18.8G	M3.2/P	12.2G	M13.2/6	14.6A	M26/X1/6		S13/2	14.4G	W3/XS13	9.6B	W79/XS53	19.6C	X20/ST/5	11.5E	X29/ST/12		
	F31/1	19.4B	K20/9	18.7G	M3.2/S1/1	12.2G	M16/A	11.6B	M27/1	14.5F	S13/3	14.3G	W3/XS15	10.3B	W79/XS54	19.5C	X20/ST/5	12.6E	X29/ST/12		
	F31/2	19.4B	K29/A1/1	20.6E	M3.2/S1/2	12.3G	M16/B	11.6B	M27/2	14.4G	S15/B	15.4G	W3/XS17	10.6B	W79/XS55		X20/ST/6	11.6E	X29/ST/13		
	F32/1	19.2B	K29/A2/1	20.6E	M4.1/N	11.4G	M17/A	11.7B	M29/N	20.6G	S15/P	15.4F	W3/XS20	17.2D	W79/XS58	18.6D	X20/ST/6	12.6E	X29/ST/13		
	F32/2	19.2B	K29/K1/1	20.5E	M4.1/P	11.4G	M17/B	11.7B	M29/P	20.6G	S20/X1/1	18.7F	W3/XS21	17.2D	X1/ST/N	7.2B	X29/BU/1	13.5C	X29/ST/14	13.6C	
	F33/1	18.6B	K29/K2/1	20.5E	M4.1/S1/1	11.4G	M19.1/1	13.4A	M29/S1/1	20.6G	S20/X1/2	18.7E	W3/XS22	20.1B	X1/ST/P	7.2B	X29/BU/2	13.5C	X29/ST/14	14.6C	
	F33/2	18.6B	K31A/1	18.2D	M4.1/S1/2	11.4G	M19.1/2	13.4B	M29/S1/2	20.6G	S20/X1/3	18.7E	W3/XS23	10.3B	X11/BU/1		X29/BU/3		X29/ST/15	13.8C	
	F34/1	18.6B	K31A/2	18.2D	M4.2/N	12.3G	M19.1/3	13.4A	P2/1	10.4F	S20/X1/4		W3/XS24	15.5C	X11/BU/2	16.4B	X29/BU/4		X29/ST/15	14.7C	
	F34/2	18.6B	K31A/3	18.2D	M4.2/P	12.3G	M19.1/4	13.4B	P2/3+	10.4E	S20/X2/1	18.6E	W3/XS26	15.3B	X11/BU/3	16.5B	X29/BU/5	13.6C	X29/ST/16	13.9C	
	F35/1	18.5B	K31A/4	18.2D	M4.2/S1/1	12.4G	M19.2/1	14.3A	R20/1	16.2F	S20/X2/2	18.6E	W3/XS27	15.3B	X11/BU/4	16.5B	X29/BU/6	13.8C	X29/ST/16	14.8C	
	F35/2	18.5B	K31A/5	18.2D	M4.2/S1/2	12.4G	M19.2/2	14.3B	R20/2	16.2F	S20/X2/3	18.6F	W3/XS30	15.2C	X11/BU/5	16.5B	X29/BU/7	13.8C	X29/ST/17	13.6C	
	H1/N	9.4G	K31B/1	18.9E	M5.1/N	11.5G	M19.2/3	14.3A	R20/3	16.2F	S20/X2/4	18.6E	W3/XS31	15.9D	X11/BU/6	16.5B	X29/BU/8	13.7C	X29/ST/17	14.6C	
	H1/P	9.4F	K31B/2	18.9E	M5.1/P	11.5G	M19.2/4	14.3B	R20/4		S20/X2/5	18.6F	W3/XS32	17.4B	X11/BU/7	16.5B	X29/BU/9	13.7C	X29/ST/18		
	K1/A1/1	7.2F	K31B/3	18.8E	M5.1/S1/1	11.5G	M20.1/1	13.5A	R29/1	20.8D	S20/X2/6	18.6F	W3/XS33	17.4C	X11/BU/8	16.5B	X29/BU/10	13.5C	X29/ST/18		
	K1/A2/1	7.2F	K31B/4	18.8E	M5.1/S1/2	11.6G	M20.1/2	13.5B	R29/2	20.8E	S21/NC1	15.9E	W3/XS34	22.2G	X11/ST/1		X29/BU/11	13.5C	X32/ST/1	22.2C	
	K1/K1/1	7.2F	K31B/5	18.8E	M5.2/N	12.5G	M20.1/3	13.5A	R102/1	20.4C	S21/NC2	15.9E	W3/XS37	15.8F	X11/ST/1		X29/BU/12		X32/ST/2	22.2C	
	K1/K1/2	7.3F	M1/U	15.5G	M5.2/P	12.4G	M20.1/4	13.5B	R102/2	20.4C	S21/NO1	15.9E	W3/XS38	15.8G	X11/ST/2	16.4B	X29/BU/13		X43/A/1	8.9E	
	K1/K2/1	7.3F	M1/V	15.6G	M5.2/S1/1	12.5G	M20.2/1	14.4A	S1/1	8.2C	S21/NO2	15.9E	W3/XS56	9.3E	X11/ST/2		X29/BU/14	13.6C	X43/A/2	8.8F	
	K1/K3/1	7.3F	M1/W	15.6G	M5.2/S1/2	12.5G	M20.2/2	14.4B	S1/2	8.2C	S29/1	20.7F	W3/XS57	9.3F	X11/ST/3	16.5B	X29/BU/15	13.8C	X43/A/3	8.8F	
	K1/K3/2	7.3F	M1/X1/1	15.7G	M6/A	14.8F	M20.2/3	14.5A	S1/UBat	8.2C	S29/2	20.7F	W3/XS59		X11/ST/3		X29/BU/16	13.9C	X43/A/4	8.8E	
	K1/K4/1	7.3F	M1/X1/2	15.7G	M6/B	14.8G	M20.2/4	14.5B	S2/1	16.4F	S29/3	20.7F	W3/XS60		X11/ST/4	16.5B	X29/BU/17	13.6C	X43/B/2	8.9F	
	K2/N	15.1C	M1/X1/3	15.7G	M7/1	21.5E	M21.1/N	13.2B	S2/2	16.4F	S29/4	20.7F	W3/XS61	9.3F	X11/ST/4		X29/BU/18		X43/B/3	8.9F	
	K2/N	15.1C	M1/X1/4	15.7G	M7/2	21.5E	M21.1/P	13.2A	S2/3	16.4F	T1/1	18.2F	W3/XS62	9.3G	X11/ST/5	16.5B	X29/ST/1	13.5C	X43/B/4	8.10F	
	K2/P	15.1B	M1/X2/1	15.7G	M8/1	10.5G	M21.1/X3/1	13.3A	S5/1	10.5A	T1/2	18.2G	W19/XS25	16.2B	X11/ST/5		X29/ST/1	14.4C	X43/B/5	8.10F	
	K2/P	15.1B	M1/X2/2		M8/2	10.5G	M21.1/X3/2	13.3B	S5/2	10.5A	T1/3	18.2F	W19/XS63	16.5C	X11/ST/6	16.5B	X29/ST/2	13.5C	X53/BU/1	14.2E	
	K3/N	16.2C	M1/X2/3	15.8G	M9/1	11.2B	M21.2/N	14.2B	S5/3	10.5B	T1/4	18.3F	W28/XS16	10.8E	X11/ST/6		X29/ST/2	14.5C	X53/BU/2	14.3E	
	K3/N	16.1C	M1/X3/1	15.6G	M9/2	11.2B	M21.2/P	14.2A	S5/4	10.5B	T1/5	18.3G	W29/XS14	9.5F	X11/ST/7	16.5B	X29/ST/3		X53/BU/3	14.3E	
	K3/P	16.2B	M1/X3/2	15.6G	M9/3	11.3B	M21.2/X3/1	14.2A	S6/1	18.3E	T1/6	18.2G	W58/XS18	13.3B	X11/ST/7	16.7B	X29/ST/3		X53/BU/4		
	K3/P	16.1B	M2/U	16.5G	M9/4	11.3B	M21.2/X3/2	14.2B	S6/2	18.3E	V1/1	9.3F	W58/XS19	13.4C	X11/ST/8		X29/ST/4		X53/BU/5	14.5E	
	K8/D1/1	14.6F	M2/V	16.5G	M9/5	11.3B	M24.1/1	13.8B	S6/3	18.3E	V1/2	9.3F	W59/XS35	14.3B	X11/ST/8	16.7B	X29/ST/4		X53/BU/6	14.6E	
	K8/D2/1	14.7F	M2/W	16.5G	M9/6	11.3B	M24.1/2	13.8A	S6/4		V2/1	15.8G	W59/XS36	14.3C	X20/BU/1	11.5E	X29/ST/5	13.6C	X53/BU/7		
	K8/FA/1/1	14.6F	M2/X1/1	16.6G	M10/1	11.4B	M24.2/1	14.7B	S6/5	18.4E	V2/2	15.8G	W76/XS39	19.2F	X20/BU/2	11.5E	X29/ST/5	14.6C	X53/BU/8	14.5E	
	K8/FA/2/1	14.6G	M2/X1/2	16.6G	M10/2	11.4C	M24.2/2	14.7A	S6/7		W3/XS1	7.6C	W76/XS41	19.2H	X20/BU/3	11.5E	X29/ST/6	13.8C	X53/BU/9	14.2E	
	K8/N/1	14.7G	M2/X1/3	16.6G	M13.1/1	13.6A	M25.1/1	13.8B	S6/8	18.4E	W3/XS2	7.5F	W77/XS40	19.7F	X20/BU/4	11.5E	X29/ST/6	14.7C	X53/BU/10	14.3E	
	K8/P/1	14.6G	M2/X1/4	16.6G	M13.1/2	13.6B	M25.1/2	13.8A	S6/10	18.4E	W3/XS3	7.6F	W77/XS42	19.7H	X20/BU/5	11.5E	X29/ST/7	13.8C	X53/BU/11	14.4E	
	K8/RA/1/1	14.6F	M2/X2/1	16.7G	M13.1/3	13.6B	M25.2/1	14.8B	S6/17	18.4E	W3/XS4	8.1E	W79/BP01		X20/BU/6	11.6E	X29/ST/7	14.8C	X53/BU/12		
	K8/RA/2/1	14.6G	M2/X2/2	16.7G	M13.1/4	13.6A	M25.2/2	14.8A	S6/18	18.4E	W3/XS5	8.2E	W79/XS43	18.2C	X20/ST/1	11.5E	X29/ST/8	13.7C	X53/BU/13	14.5E	
	K20/1	18.8G	M2/X3/1	16.5G	M13.1/5	13.7B	M26/M+	22.3F	S11/1	14.2G	W3/XS6	8.8C	W79/XS44	18.2E	X20/ST/1	12.5E	X29/ST/8	14.7C	X53/BU/14	14.6E	

Freigabevermerk:		1	**	4320-82	08.12.2020	Ri	Date	Name	B400 R		Name	Schaltplan B400 R / circuit diagram B400 R				 Hako GmbH D-23840 Bad Oldesloe		Drawing Number		A2
		No.	Number appears	Change No.	Date	Name	Printed	18.03.2021	Replacement for		For this drawing we reserve all rights (acc. DIN ISO 16016)				Engineering Base 6.9.1		Type 7437	Dept. DS	No. of Sh. 27	Sheet 4
1	2	3	4	5	6	7	8	9	10	11										

No: 91040360

3 Pin-Splice

	Name	Position	Name	Position	Name	Position	Name	Position
A	X53/BU/15		X65/ST/1	17.4E	X73/BU/1	22.5C	X77/ST/3	19.8E
	X53/BU/16	14.5E	X65/ST/2	17.4E	X73/BU/2	22.5C	X77/ST/4	19.8E
	X53/ST/1	14.2E	X66/BU/1	17.4D	X73/BU/3	22.6C	X78/BU/1	19.5D
	X53/ST/2	14.3E	X66/BU/2	17.5D	X73/ST/1	22.5C	X78/BU/2	19.5D
	X53/ST/3	14.3E	X66/BU/3	17.5D	X73/ST/2	22.5C	X78/BU/3	19.5D
	X53/ST/4		X66/BU/4	17.5D	X73/ST/3	22.6C	X78/BU/4	19.5D
B	X53/ST/5	14.5E	X66/BU/5	17.5D	X74/BU/A	18.1B	X78/BU/5	19.5D
	X53/ST/6	14.6E	X66/BU/6	17.5D	X74/BU/B	18.2B	X78/BU/6	19.5D
	X53/ST/7		X66/ST/1	17.4D	X74/ST/A	18.1B	X78/BU/7	19.6D
	X53/ST/8	14.5E	X66/ST/2	17.5D	X74/ST/B	18.2B	X78/BU/8	19.6D
	X53/ST/9	14.2E	X66/ST/3	17.5D	X75/BU/1	18.7C	X78/BU/9	19.6D
	X53/ST/10	14.3E	X66/ST/4	17.5D	X75/BU/2	18.7C	X78/BU/10	19.6D
C	X53/ST/11	14.4E	X66/ST/5	17.5D	X75/BU/3	18.7C	X78/ST/1	19.5D
	X53/ST/12		X66/ST/6	17.5D	X75/BU/4	18.8C	X78/ST/2	19.5D
	X53/ST/13	14.5E	X68/BU/1	20.6D	X75/BU/5	18.8C	X78/ST/3	19.5D
	X53/ST/14	14.6E	X68/BU/2		X75/BU/6	18.7C	X78/ST/4	19.5D
	X53/ST/15		X68/BU/3	20.6D	X75/BU/7	18.7C	X78/ST/5	19.5D
	X53/ST/16	14.5E	X68/BU/4	20.7D	X75/BU/8	18.8C	X78/ST/6	19.5D
D	X60/BU/1	8.4B	X68/BU/5	20.7D	X75/BU/9	18.8C	X78/ST/7	19.6D
	X60/BU/2		X68/BU/6	20.6D	X75/BU/10	18.9C	X78/ST/8	19.6D
	X60/BU/3		X68/BU/7		X75/ST/1	18.7C	X78/ST/9	19.6D
	X60/BU/4	8.4C	X68/BU/8	20.6D	X75/ST/2	18.7C	X78/ST/10	19.6D
	X60/BU/5		X68/BU/9	20.7D	X75/ST/3	18.7C	X80/BU/1	10.3G
	X60/BU/6	8.4C	X68/BU/10	20.7D	X75/ST/4	18.8C	X80/BU/2	10.3G
	X60/BU/7		X68/ST/1	20.6D	X75/ST/5	18.8C	X97/1	10.2G
E	X60/BU/8		X68/ST/2		X75/ST/6	18.7C	X97/2	10.2G
	X60/BU/9		X68/ST/3	20.6D	X75/ST/7	18.7C	X97/3	10.2G
	X60/BU/10		X68/ST/4	20.7D	X75/ST/8	18.8C	X97/4	10.2G
	X60/BU/11	8.4C	X68/ST/5	20.7D	X75/ST/9	18.8C	X100/1	9.5G
	X60/BU/12	8.4C	X68/ST/6	20.6D	X75/ST/10	18.9C	X101/1	10.8F
	X60/BU/13		X68/ST/7		X76/BU/1	19.2E	XE14/ST/1	17.8E
F	X60/BU/14	8.4C	X68/ST/8	20.6D	X76/BU/2	19.2E	XE14/ST/1	17.9E
	X60/BU/15		X68/ST/9	20.7D	X76/BU/3	19.2E	XE14/ST/2	17.8E
	X60/BU/16	8.4C	X68/ST/10	20.7D	X76/BU/4	19.2E	XE14/ST/2	17.9E
	X63/BU/1	21.5D	X69/BU/1	17.5E	X76/ST/1	19.2E	Y1/1	10.6E
	X63/BU/2	21.6D	X69/BU/2	17.5E	X76/ST/2	19.2E	Y1/2	10.6F
	X63/BU/3	21.6D	X69/ST/1	17.5E	X76/ST/3	19.2E	Y3/1	21.6E
	X63/BU/4	21.6D	X69/ST/2	17.5E	X76/ST/4	19.2E	Y3/2	21.6E
G	X63/ST/1	21.5D	X72/BU/1	22.5D	X77/BU/1	19.8E		
	X63/ST/2	21.6D	X72/BU/2	22.5D	X77/BU/2	19.8E		
	X63/ST/3	21.6D	X72/BU/3	22.6D	X77/BU/3	19.8E		
	X63/ST/4	21.6D	X72/ST/1	22.5D	X77/BU/4	19.8E		
	X65/BU/1	17.4E	X72/ST/2	22.5D	X77/ST/1	19.8E		
	X65/BU/2	17.4E	X72/ST/3	22.6D	X77/ST/2	19.8E		

Freigabevermerk:

1

/

4320-82

08.12.2020

Ri

Date

09.10.2020

Ri

B400 R

Name

Schaltplan B400 R / circuit diagram B400 R

Replacement for

4315-65



Drawing Number

91040360

A2

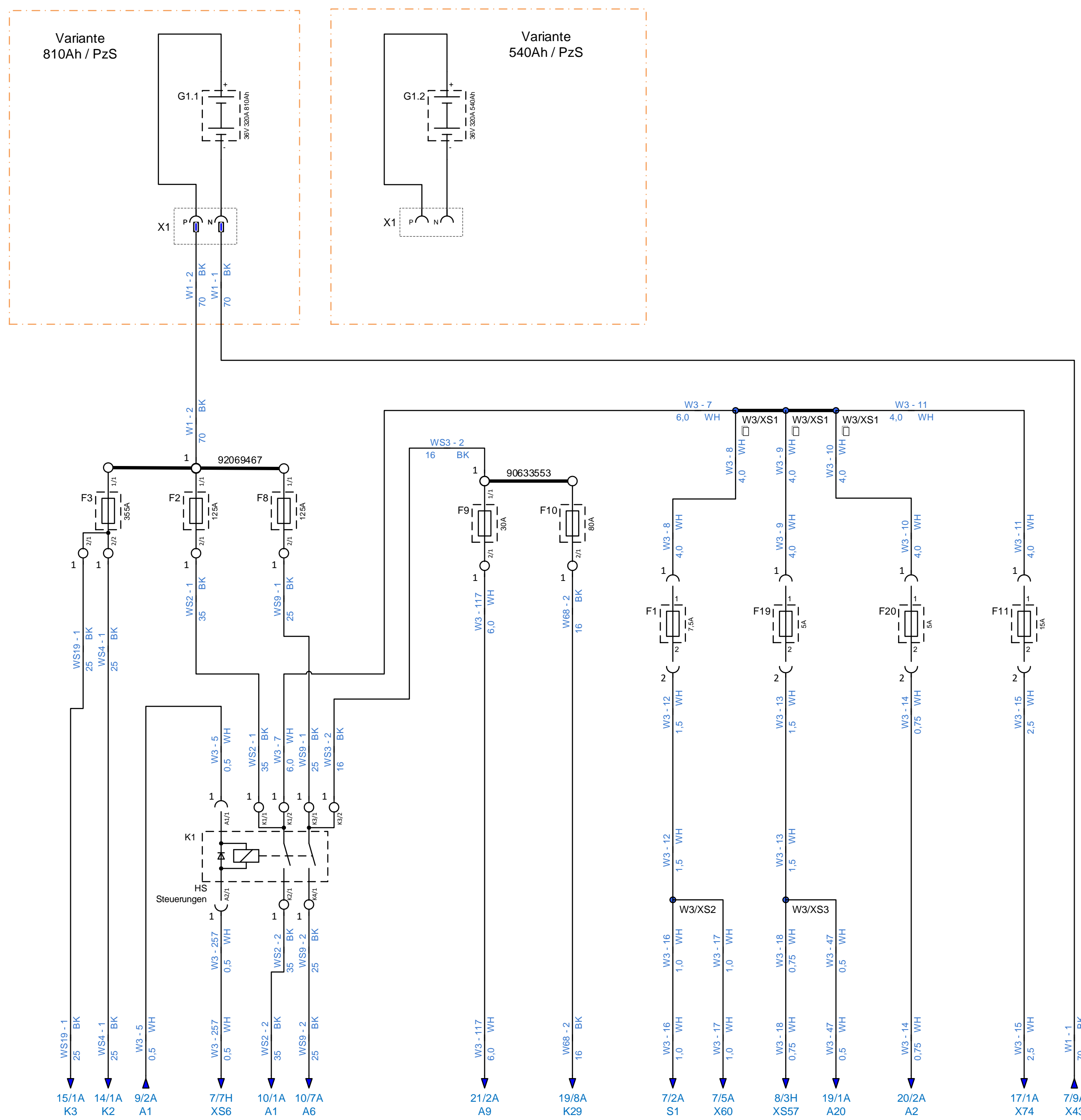
For this drawing we reserve all rights (acc. DIN ISO 16016)

Engineering Base 6.9.1

Type 7437 Dept. DS

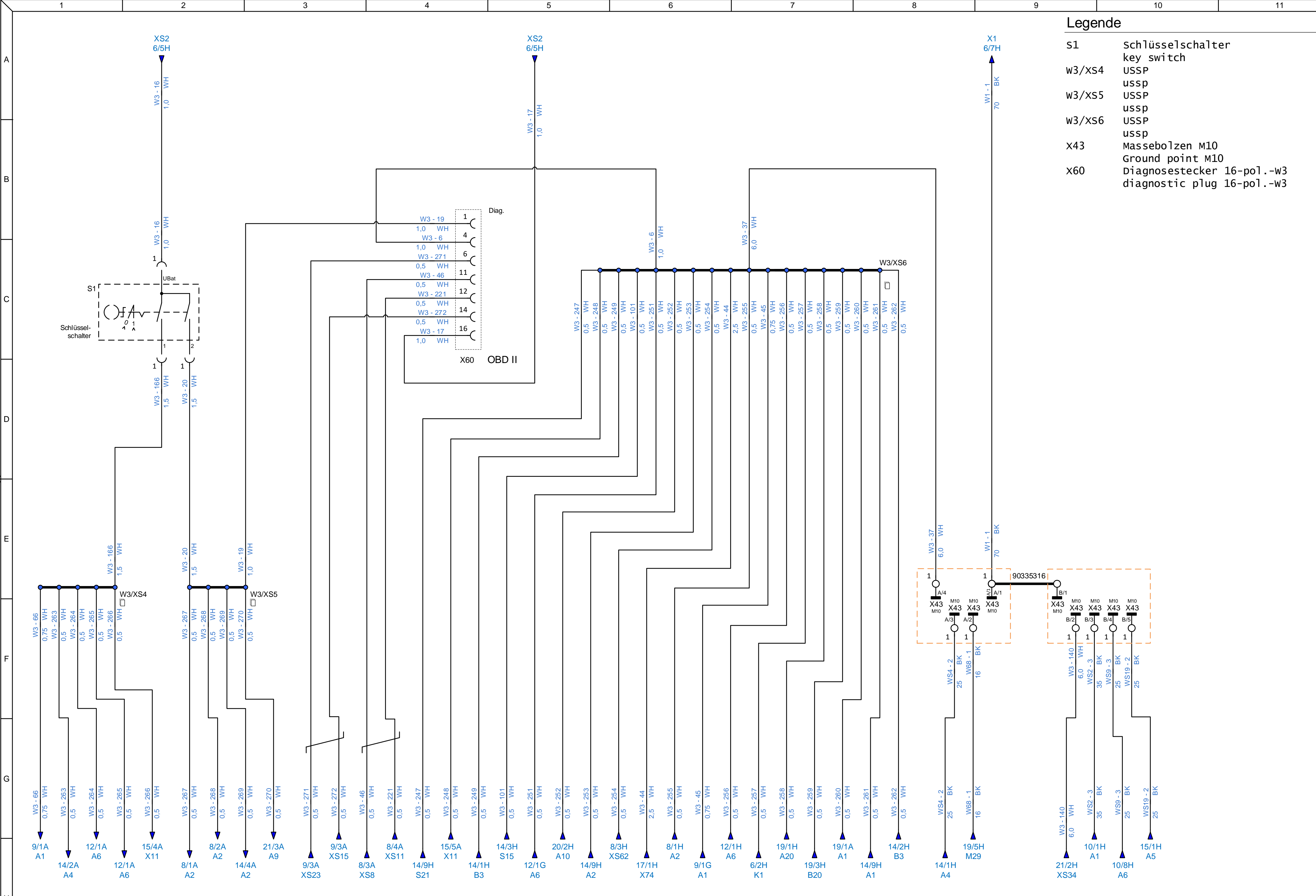
No. of Sh. 27

Sheet 5

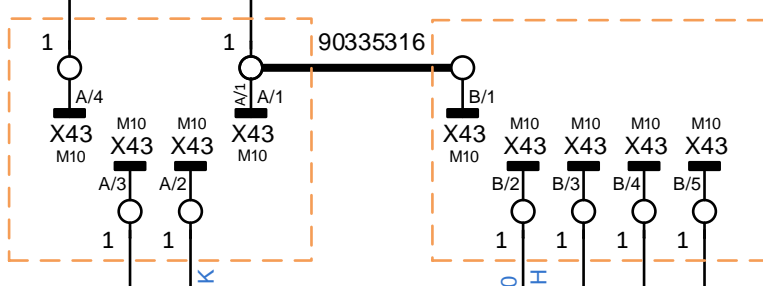
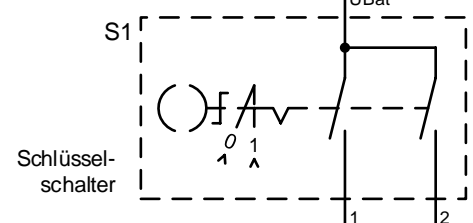



- ### Legende
- F1 Sicherung Schlüsselschalter 7,5A
fuse keyswitch 7,5A
 - F2 Sicherung Steuerung A1 125A
fuse controller A1 125A
 - F3 Sicherung Fahren 355A
fuse drive 355A
 - F8 Sicherung Steuerung A6 125A
fuse Steuerung A6 125A
 - F9 Sicherung Lenken 30A
fuse steering 30A
 - F10 Sicherung Hochdruckreiniger 80A
fuse high-pressure cleaner 80A
 - F11 Sicherung StvZO 15A
fuse road traffic act 15A
 - F19 Sicherung Hupe / Fleet 5A
fuse horn / fleet 5A
 - F20 Sicherung Anzeige 5A
fuse display 5A
 - G1.1 Batterie 36V 320A 810Ah
battery 36V 320A 810Ah
 - G1.2 Batterie 36V 320A 540Ah
battery 36V 320A 540Ah
 - K1 Hauptschütz 36V
main contactor 36V
 - W3/XS1 USSP
ussp
 - W3/XS2 USSP
ussp
 - W3/XS3 USSP
ussp
 - X1 Batteriestecker 2-pol. w1
battery connector 2-pol. w1

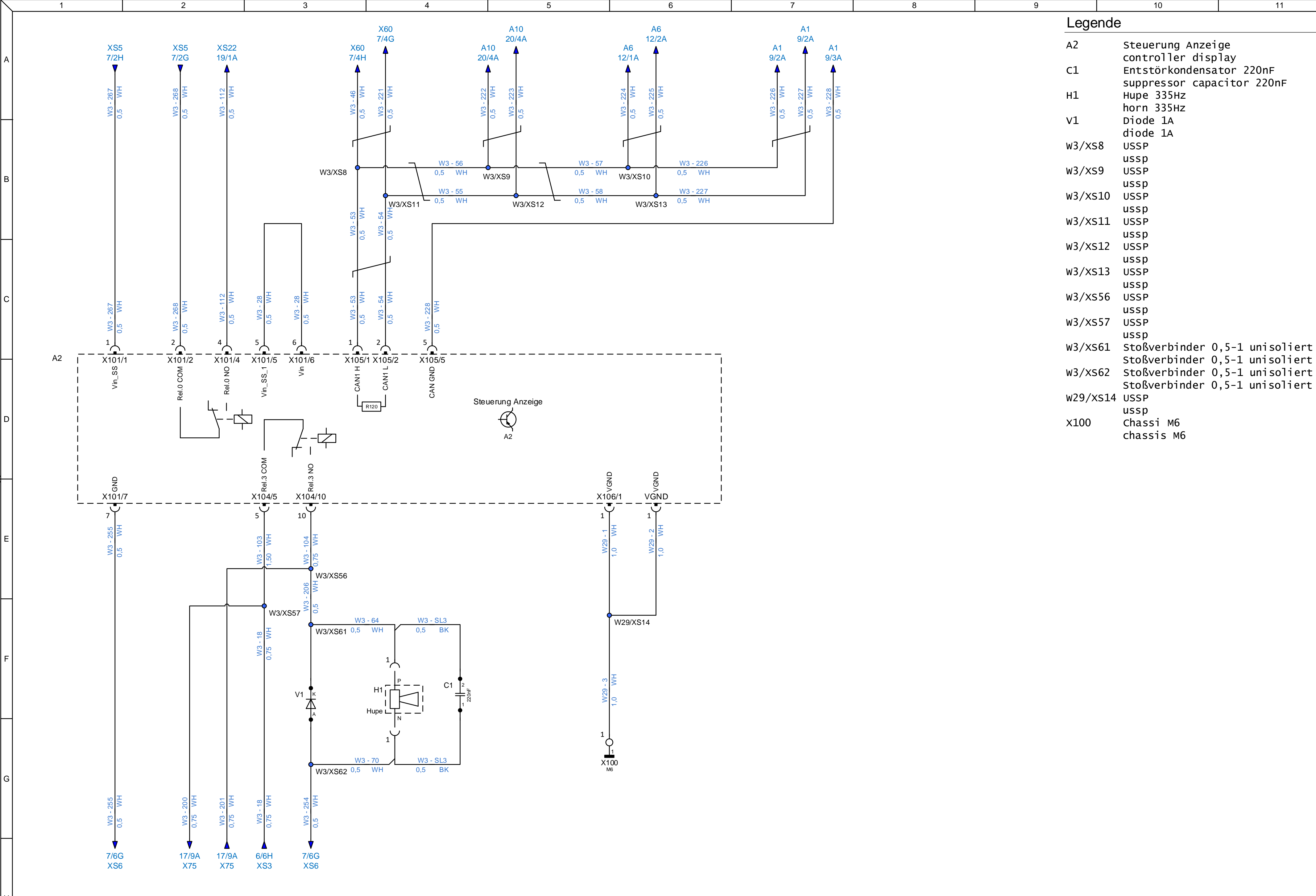
Freigabevermerk:		1		*/*		4320-82		08.12.2020		Ri		Date 12.03.2020		Name Ri		B400 R		Name Schaltplan B400 R / circuit diagram B400 R		Drawing Number 91040360		A2	
		No.		Number appears		Change No.		Date		Name		Std.		4315-65		For this drawing we reserve all rights (acc. DIN ISO 16016)		Engineering Base 6.9.1		Type 7437		Dept. DS	
																				No. of Sh. 27		Sheet 6	



- ### Legende
- S1 Schlüsselschalter
key switch
 - W3/XS4 USSP
ussp
 - W3/XS5 USSP
ussp
 - W3/XS6 USSP
ussp
 - X43 Massebolzen M10
Ground point M10
 - X60 Diagnosestecker 16-pol.-w3
diagnostic plug 16-pol.-w3



Freigabevermerk:		1	*/*	4320-82	08.12.2020	Ri	Date	Name	B400 R	Name	Schaltplan B400 R / circuit diagram B400 R		 Hako GmbH D-23840 Bad Oldesloe		Drawing Number	A2
No.	Number appears	Change No.	Date	Name	Std.				4315-65	For this drawing we reserve all rights (acc. DIN ISO 16016)		Engineering Base 6.9.1	Type 7437	Dept. DS	No. of Sh. 27	Sheet 7



Legende	
A2	Steuerung Anzeige controller display
C1	Entstörkondensator 220nF suppressor capacitor 220nF
H1	Hupe 335Hz horn 335Hz
V1	Diode 1A diode 1A
W3/XS8	USSP
W3/XS9	ussp
W3/XS10	USSP
W3/XS11	ussp
W3/XS12	USSP
W3/XS13	ussp
W3/XS56	USSP
W3/XS57	ussp
W3/XS61	Stoßverbinder 0,5-1 unisoliert
W3/XS62	Stoßverbinder 0,5-1 unisoliert
W29/XS14	USSP
X100	Chassi M6 chassis M6

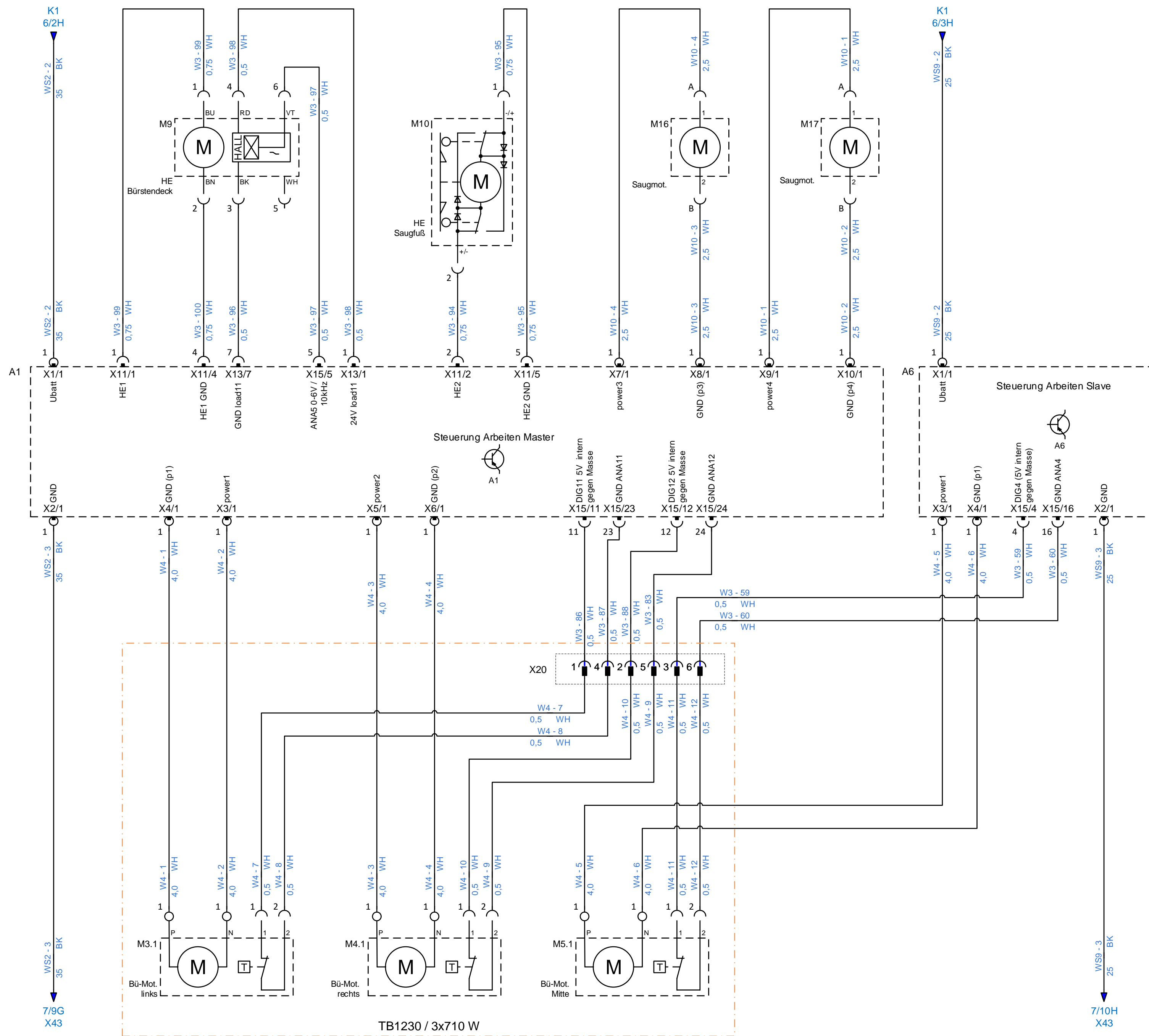
Freigabevermerk:		1	*/*	4320-82	08.12.2020	Ri	Date	Name	B400 R	Name	Schaltplan B400 R / circuit diagram B400 R		Drawing Number		A2	
		No.	Number appears	Change No.	Date	Name	Std.		4315-65	For this drawing we reserve all rights (acc. DIN ISO 16016)		Engineering Base 6.9.1	Type 7437	Dept. DS	No. of Sh.27	Sheet 8



Hako GmbH
D-23840 Bad Odesloe

Legende

- A1 Steuerung Arbeiten Master controller working master
- A6 Steuerung Arbeiten Slave controller working slave
- M3.1 Tellerbürstenmotor links TB1230 plate brush motor left TB1230
- M4.1 Tellerbürstenmotor rechts TB1230 plate brush motor right TB1230
- M5.1 Tellerbürstenmotor mitte TB1230 plate brush motor middle TB1230
- M9 Hubelement Bürstendeck 24V actuator brush deck 24V
- M10 Hubelement Saugfuß actuator squeegee
- M16 Saugmotor 36V suction motor 36V
- M17 Saugmotor 36V suction motor 36V
- X20 Mini-Fit Jr. 6-pol. w5-w3 Mini-Fit Jr. 6-pol. w5-w3



Freigabevermerk:		1		*/*		4320-82		08.12.2020		Ri		Date		Name		B400 R		Name		Drawing Number		A2	
		No.		Number appears		Change No.		Date		Name		Std.				Replacement for		Schaltplan B400 R / circuit diagram B400 R		Hako		Hako GmbH	
																4315-65		For this drawing we reserve all rights (acc. DIN ISO 16016)		Engineering Base 6.9.1		Type 7437	
																				Dept. DS		No. of Sh.27	
																						Sheet 10	

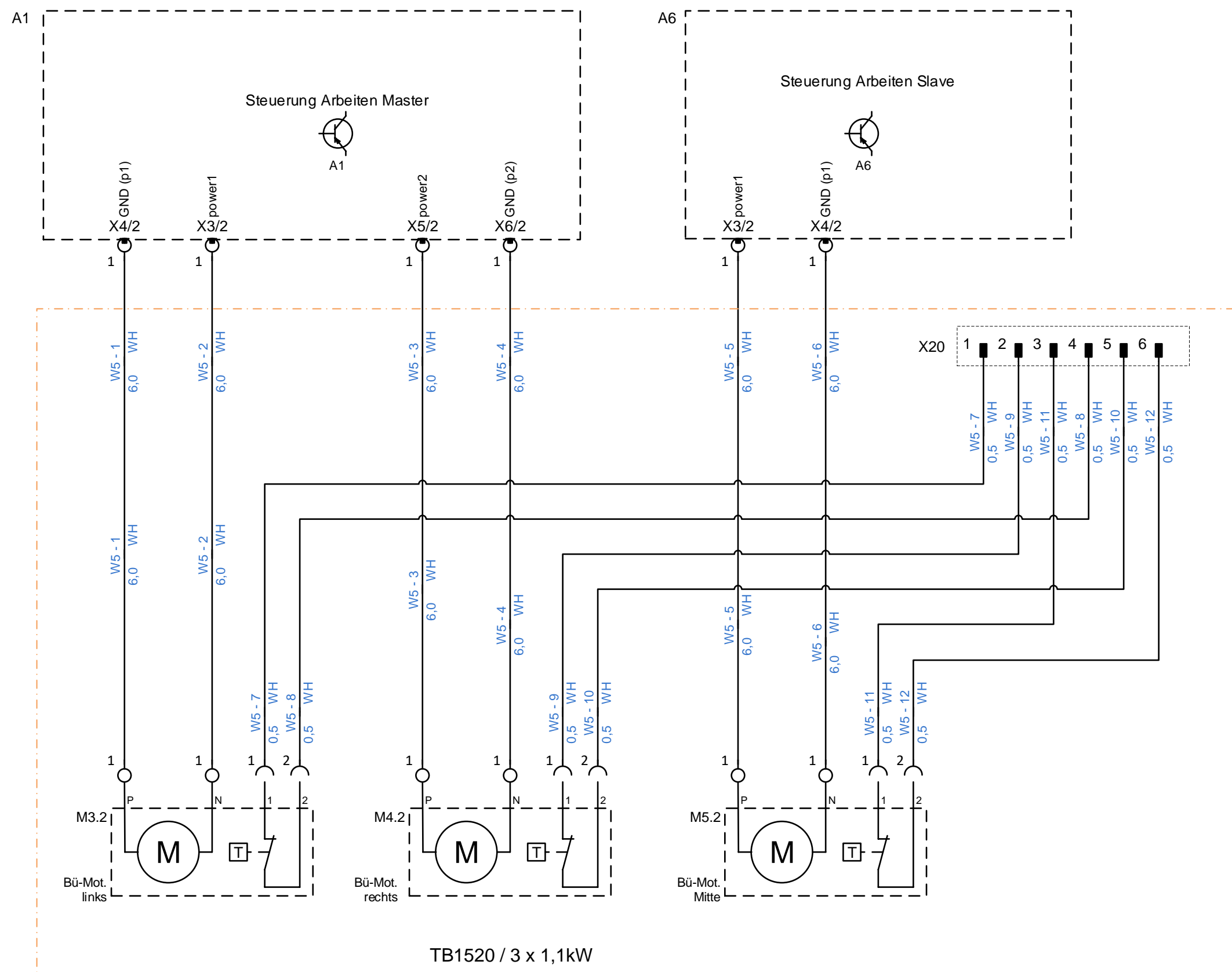



Drawing Number
91040360

For this drawing we reserve all rights (acc. DIN ISO 16016) Engineering Base 6.9.1 Type 7437 Dept. DS No. of Sh.27 Sheet 10

Legende

- A1 Steuerung Arbeiten Master
controller working master
- A6 Steuerung Arbeiten Slave
controller working slave
- M3.2 Tellerbürstenmotor links TB1520
plate brush motor left TB1520
- M4.2 Tellerbürstenmotor rechts TB1520
plate brush motor right TB1520
- M5.2 Tellerbürstenmotor mitte TB1520
plate brush motor middle TB1520
- X20 Mini-Fit Jr. 6-pol. w5-w3
Mini-Fit Jr. 6-pol. w5-w3

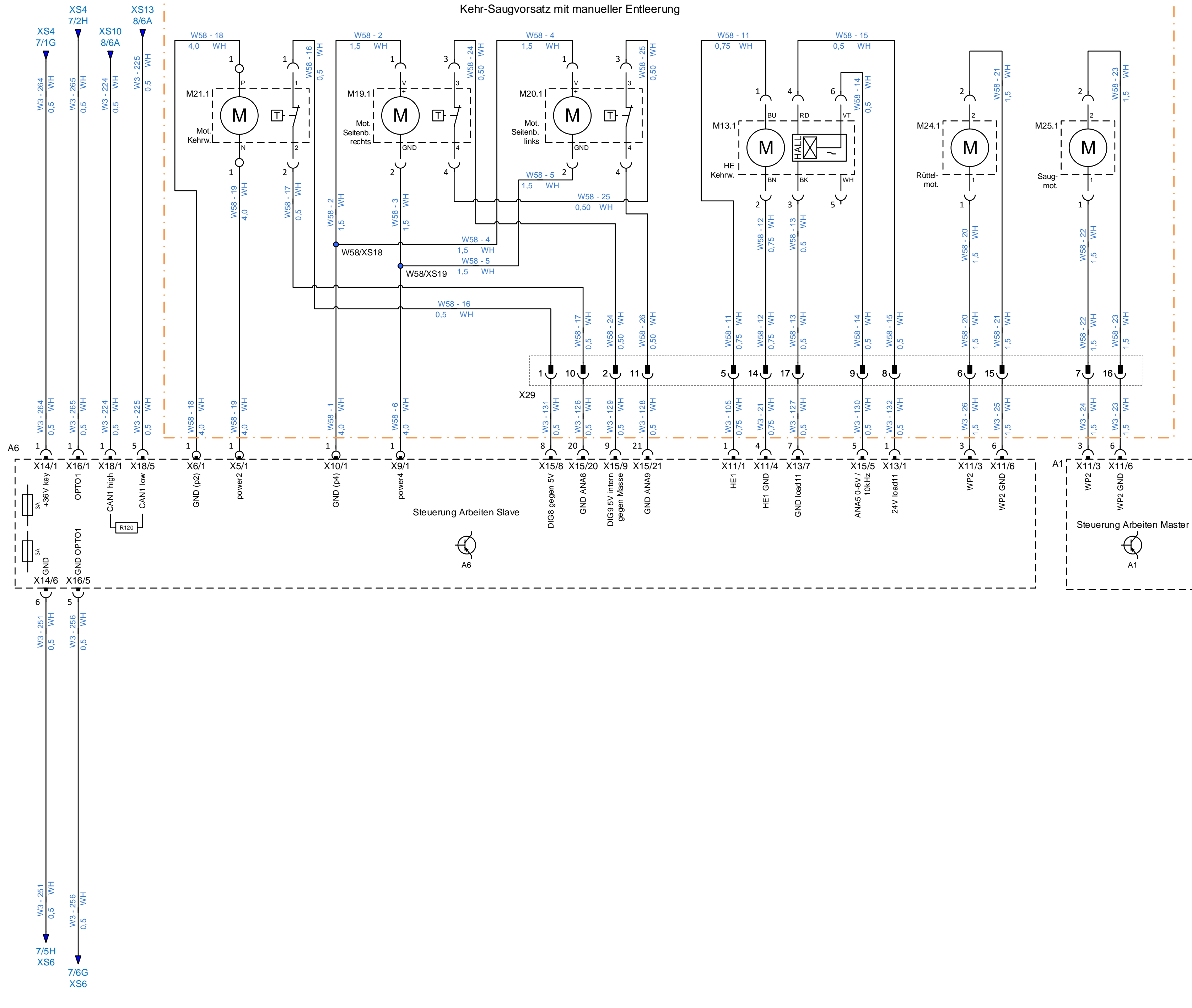


Freigabevermerk:		1	*/*	4320-82	08.12.2020	Ri	Drawn 12.03.2020 Verified	Name Ri	B400 R Replacement for 4315-65	Name Schaltplan B400 R / circuit diagram B400 R	 Hako GmbH D-23840 Bad Oldesloe	Drawing Number 91040360	A2
No.	Number appears	Change No.	Date	Name	Std.	For this drawing we reserve all rights (acc. DIN ISO 16016)				Engineering Base 6.9.1	Type 7437 Dept. DS	No. of Sh. 27	Sheet 11

Kebr-Saugvorsatz mit manueller Entleerung

Legende

- A1 Steuerung Arbeiten Master
controller working master
- A6 Steuerung Arbeiten Slave
controller working slave
- M13.1 Hubelement kehrwalze
actuator sweeping broom
- M19.1 Motor Seitenbesen rechts
motor side broom right
- M20.1 Motor Seitenbesen links
motor side broom left
- M21.1 Motor Kehrwalze
motor sweeping broom
- M24.1 Rüttelmotor 36V
vibration motor 36V
- M25.1 Saugmotor 36V
suction motor 36V
- w58/XS18 USSP
ussp
- w58/XS19 USSP
ussp
- X29 Mini-Fit Jr. 18-pol. w59
Mini-Fit Jr. 18-pol. w59



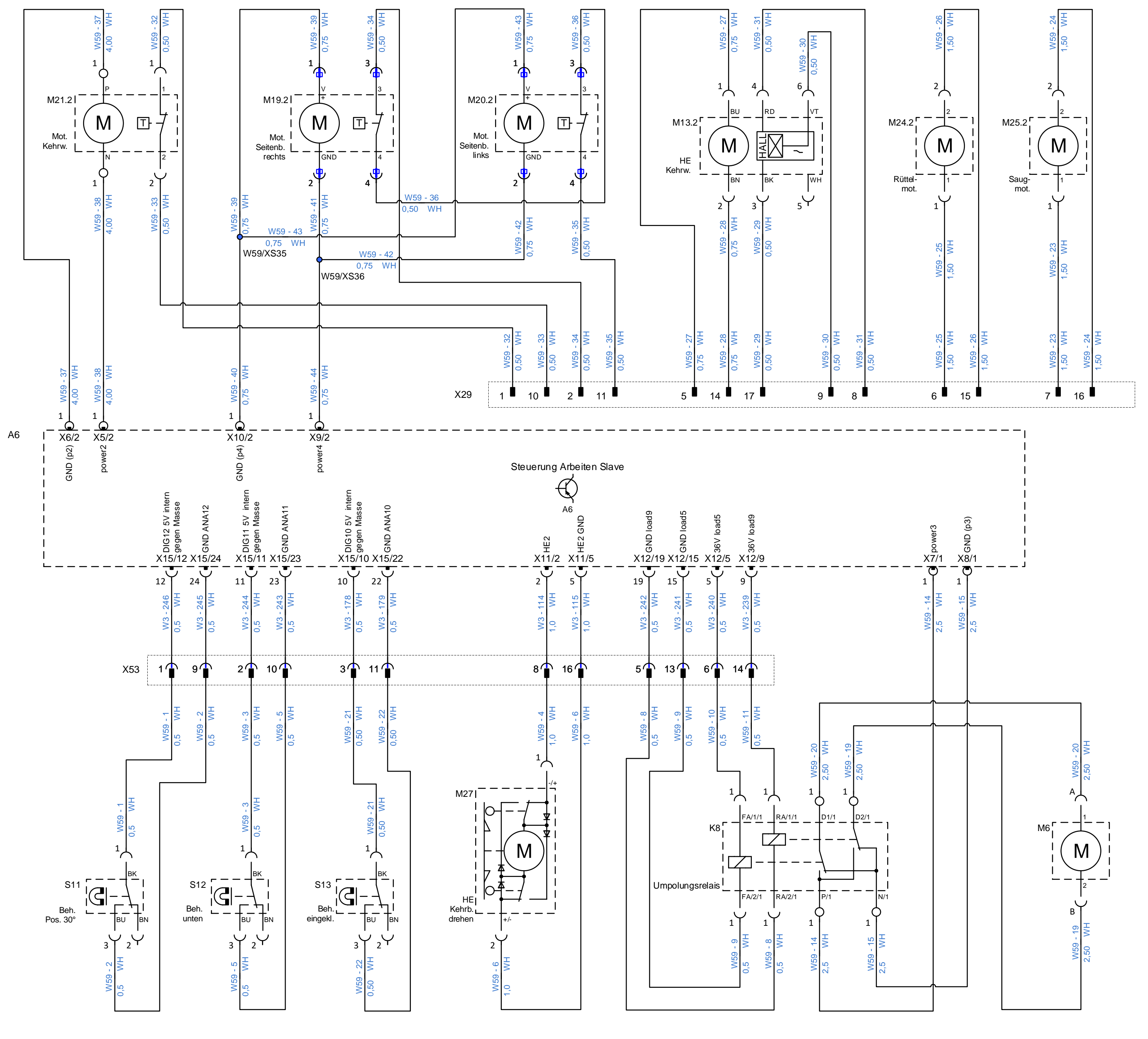
Freigabevermerk:		1		*/*		4320-82		08.12.2020		Ri		Date 12.03.2020		Name Ri		B400 R		Name Schaltplan B400 R / circuit diagram B400 R		Drawing Number 91040360		A2	
No.		Number appears		Change No.		Date		Name		Std.				4315-65		For this drawing we reserve all rights (acc. DIN ISO 16016)		Engineering Base 6.9.1		Type 7437		Dept. DS	
1		2		3		4		5		6		7		8		9		10		11		12	



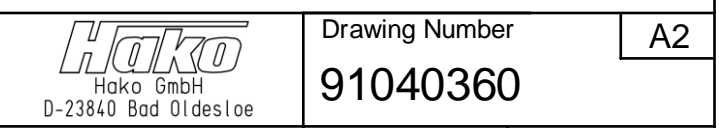
Hako GmbH
D-23840 Bad Oldesloe

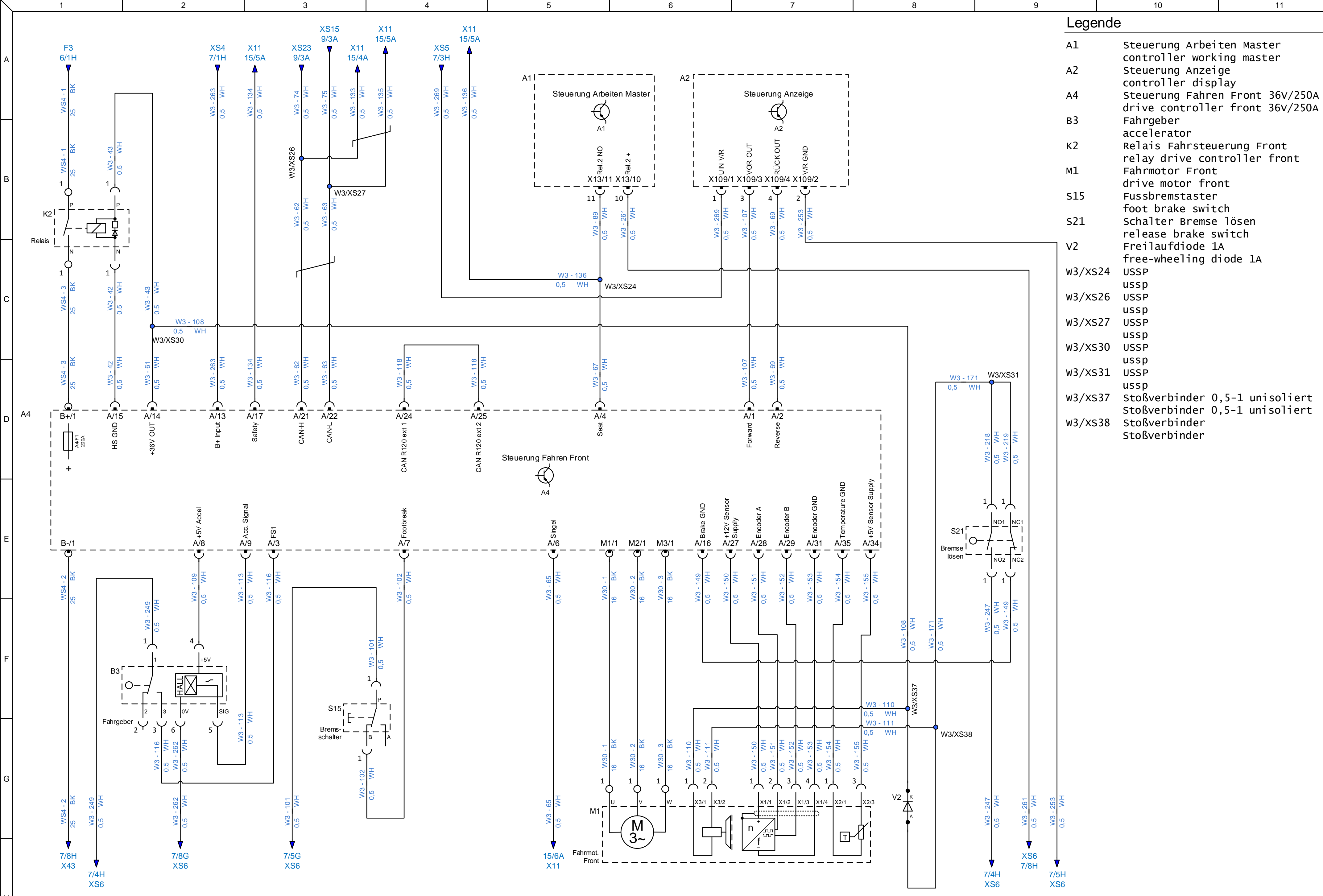
Legende

- A6 Steuerung Arbeiten Slave
- K8 Umpolungsrelais 36V
- M6 Hubelement Kehrwalze
- M13.2 actuator sweeping broom
- M19.2 Motor Seitenbesen rechts
- M20.2 Motor Seitenbesen links
- M21.2 Motor Kehrwalze 36V 600W
- M24.2 Rüttelmotor 36V
- M25.2 Saugmotor 36V
- M27 Hubelement Behälter drehen 24V
- S11 Schlitzschalter Behälter 30°
- S12 Schlitzschalter Behälter unten
- S13 Schlitzschalter Behälter zu
- W59/XS35 USSP
- W59/XS36 USSP
- X29 Mini-Fit Jr. 18-pol. W59
- X53 Mini-Fit Jr. 16-pol. W59-W3



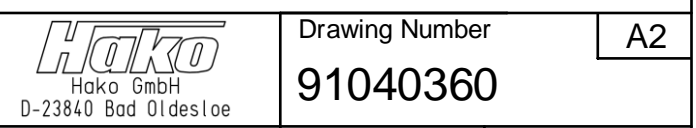
Freigabevermerk:		1		*/*		4320-82		08.12.2020		Ri		Date		Name		B400 R		Name		Drawing Number		A2	
		No.		Number appears		Change No.		Date		Name		Std.				Replacement for		Schaltplan B400 R / circuit diagram B400 R		For this drawing we reserve all rights (acc. DIN ISO 16016)		Engineering Base 6.9.1	
														4315-65						Type 7437		Dept. DS	
																				No. of Sh.27		Sheet 13	

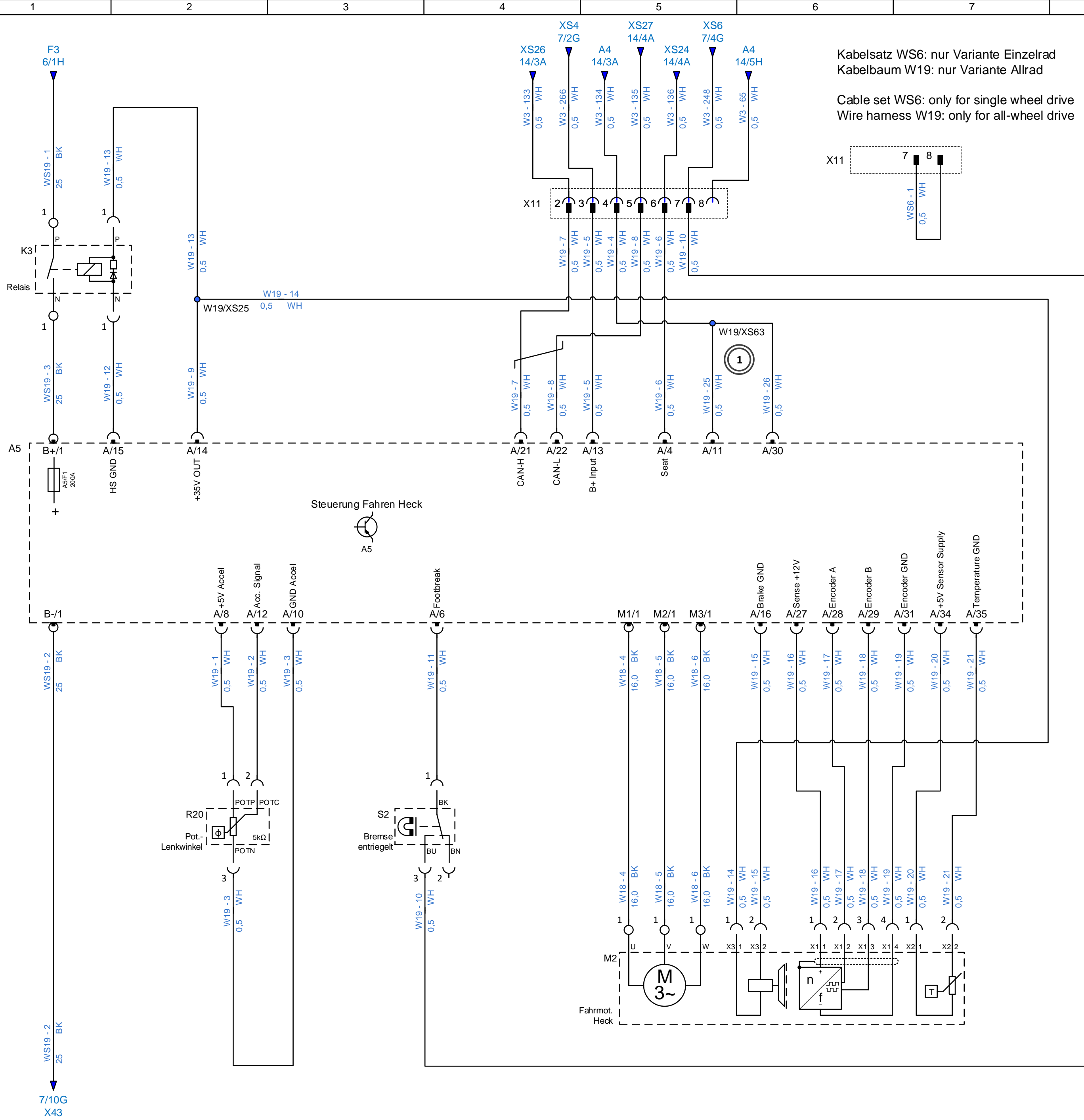




- ### Legende
- A1 Steuerung Arbeiten Master controller working master
 - A2 Steuerung Anzeig controller display
 - A4 Steuerung Fahren Front 36V/250A drive controller front 36V/250A
 - B3 Fahrgeber accelerator
 - K2 Relais Fahrsteuerung Front relay drive controller front
 - M1 Fahrmotor Front drive motor front
 - S15 Fussbremstaster foot brake switch
 - S21 Schalter Bremse lösen release brake switch
 - V2 Freilaufdiode 1A free-wheeling diode 1A
 - W3/XS24 USSP ussp
 - W3/XS26 USSP ussp
 - W3/XS27 USSP ussp
 - W3/XS30 USSP ussp
 - W3/XS31 USSP ussp
 - W3/XS37 Stoßverbinder 0,5-1 unisoliert Stoßverbinder 0,5-1 unisoliert
 - W3/XS38 Stoßverbinder Stoßverbinder

Freigabevermerk:		1		*/		4320-82		08.12.2020		Ri		Date		Name		B400 R		Name		Schaltplan B400 R / circuit diagram B400 R		Drawing Number		A2							
		No.		Number appears		Change No.		Date		Name		Std.				Replacement for				For this drawing we reserve all rights (acc. DIN ISO 16016)		Engineering Base 6.9.1		Type 7437		Dept. DS		No. of Sh.27		Sheet 14	





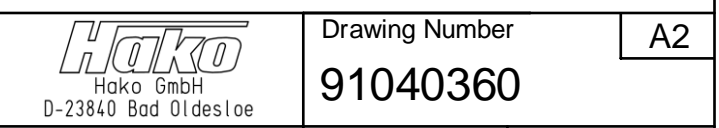
Kabelsatz WS6: nur Variante Einzelrad
 Kabelbaum W19: nur Variante Allrad

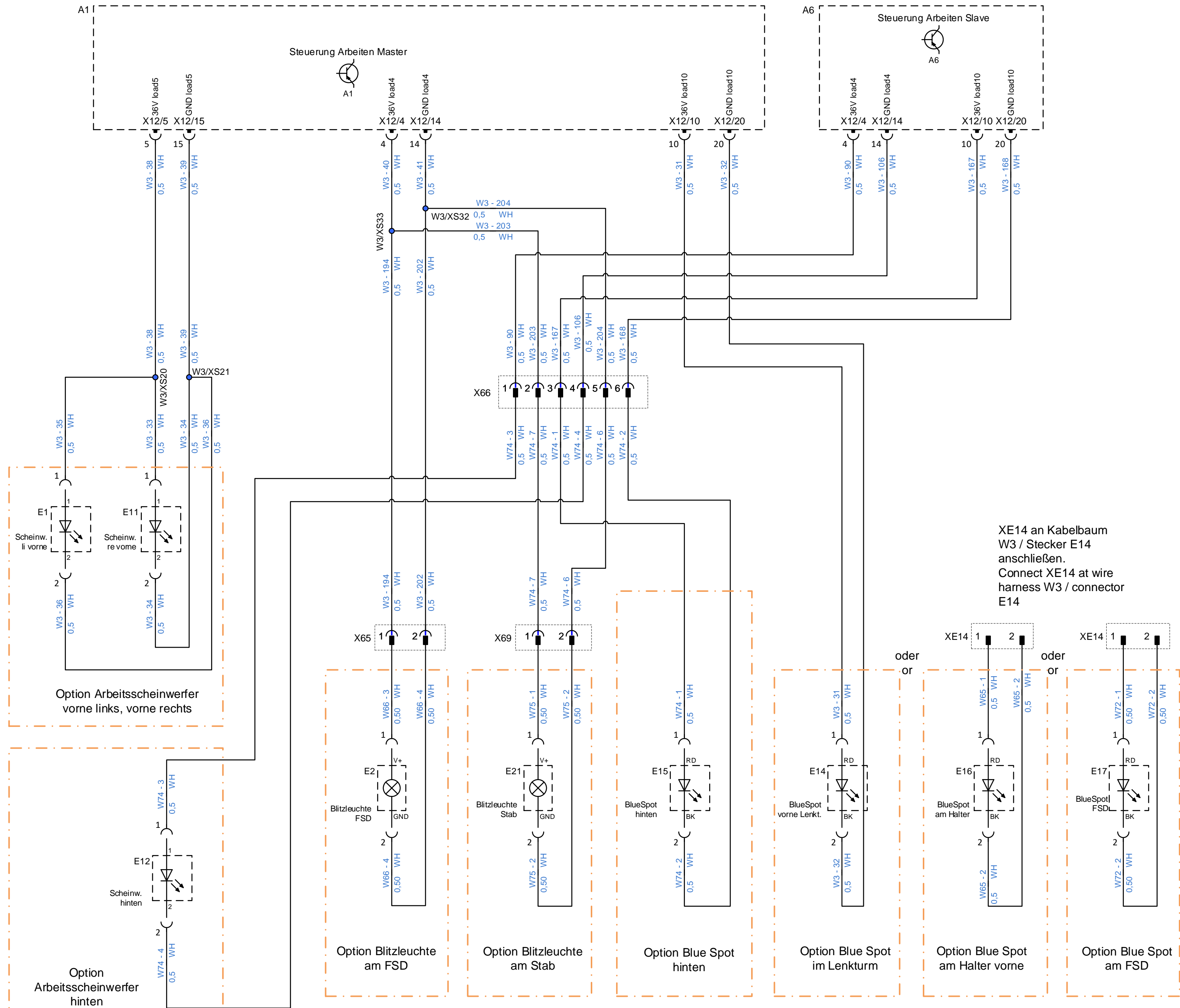
Cable set WS6: only for single wheel drive
 Wire harness W19: only for all-wheel drive

Legende

A5	Steuerung Fahren Heck 36V/250A drive controller rear 36V/250A
K3	Relais Fahrsteuerung Heck relay drive controller rear
M2	Fahrmotor Heck drive motor rear
R20	Lenkwinkelpotentiometer 5kΩ steer angle potentiometer 5kΩ
S2	Schalter Bremse entriegelt switch brake released
w19/xs25	USSP ussp
X11	Mini-Fit Jr. 8-pol. WS6 USSP Mini-Fit Jr. 8-pol. WS6

Freigabevermerk:		1	1x	4320-82	08.12.2020	Ri	Date	Name	B400 R	Name	Schaltplan B400 R / circuit diagram B400 R		Drawing Number		A2
							Drawn	12.03.2020	Ri	Replacement for		Engineering Base 6.9.1		Type 7437 Dept. DS	
		No.	Number appears	Change No.	Date	Name	Std.		4315-65	For this drawing we reserve all rights (acc. DIN ISO 16016)		No. of Sh.27		Sheet 15	





Legende

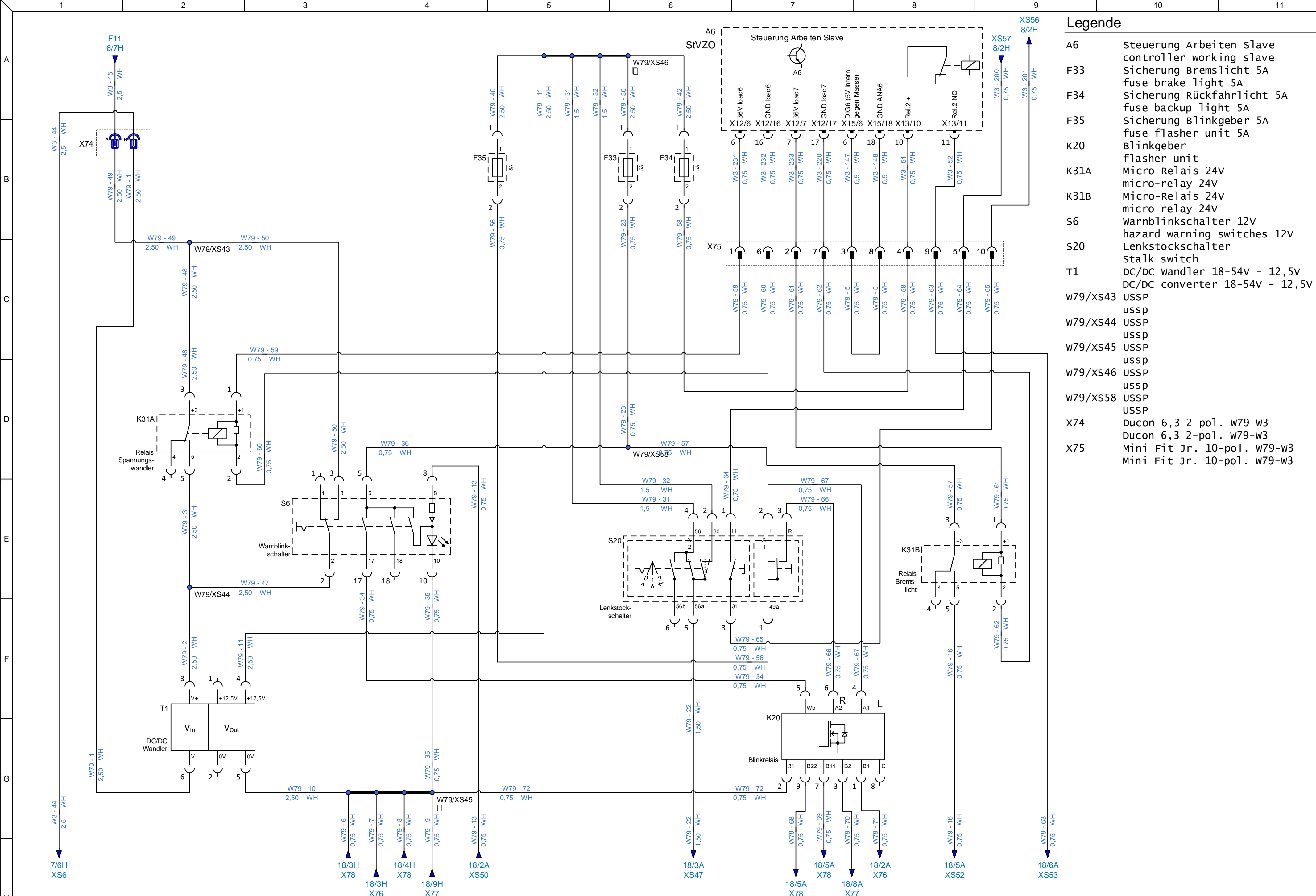
- A1 Steuerung Arbeiten Master controller working master
- A6 Steuerung Arbeiten Slave controller working slave
- E1 Arbeitsscheinwerfer links working headlight left
- E2 Blitzleuchte Fahrerschutzdach flashlight overhead cover
- E11 Arbeitsscheinwerfer rechts working headlight right
- E12 Arbeitsscheinwerfer hinten working headlight rear
- E14 BlueSpot Lenkturm LED bluespot steering unit LED
- E15 BlueSpot hinten LED bluespot rear LED
- E16 Blue Spot am Halter LED blue spot at holder LED
- E17 BlueSpot FSD LED bluespot overhead cover LED
- E21 Blitzleuchte am Stab flashlight at bar
- W3/XS20 USSP ussp
- W3/XS21 USSP ussp
- W3/XS32 USSP ussp
- W3/XS33 USSP ussp
- X65 SuperSeal 2-pol. w66-w3 SuperSeal 2-pol. w66-w3
- X66 Mini-Fit Jr. 6-pol. w74-w3 Mini-Fit Jr. 6-pol. w74-w3
- X69 Mini-Fit Jr. 2-pol. w75-w74 Mini-Fit Jr. 2-pol. w75-w74
- XE14 SuperSeal 2-pol. w65 SuperSeal 2-pol. w65

XE14 an Kabelbaum W3 / Stecker E14 anschließen.
Connect XE14 at wire harness W3 / connector E14

Freigabevermerk:			Date		Name		B400 R		Name		Drawing Number		A2	
1			15.03.2018		Ri		Replacement for		Schaltplan B400 R / circuit diagram B400 R		91040360			
No. Number appears			Change No.		Date		Name		For this drawing we reserve all rights (acc. DIN ISO 16016)		Engineering Base 6.9.1		Type 7437 Dept. DS	
4320-82			08.12.2020		Ri		4315-65		No. of Sh.27		Sheet 16			



Hako GmbH
D-23840 Bad Oldesloe

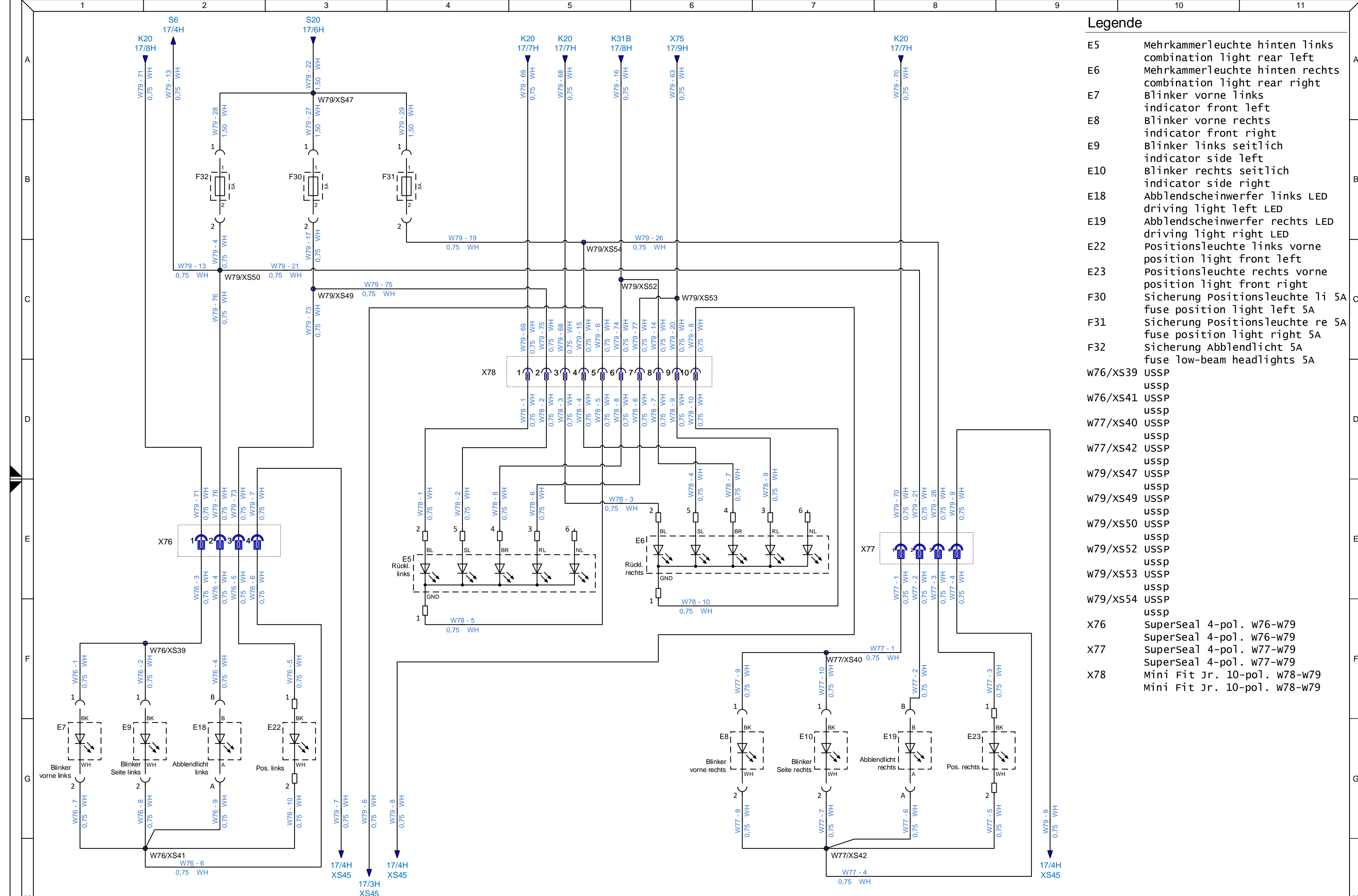


- ### Legende
- A6 Steuerung Arbeiten Slave
controller working slave
 - F33 Sicherung Bremslicht 5A
fuse brake light 5A
 - F34 Sicherung Rückfahrlicht 5A
fuse backup light 5A
 - F35 Sicherung Blinkgeber 5A
fuse flasher unit 5A
 - K20 Blinkgeber
flasher unit
 - K31A Micro-Relais 24V
micro-relay 24V
 - K31B Micro-Relais 24V
micro-relay 24V
 - S6 warnblinkschalter 12V
hazard warning switches 12V
 - S20 Lenkstockschalter
Stalk switch
 - T1 DC/DC Wandler 18-54V - 12,5V
DC/DC converter 18-54V - 12,5V
 - W79/XS43 USSP
ussp
 - W79/XS44 USSP
ussp
 - W79/XS45 USSP
ussp
 - W79/XS46 USSP
ussp
 - W79/XS58 USSP
USSP
 - X74 Ducon 6,3 2-pol. w79-w3
Ducon 6,3 2-pol. w79-w3
 - X75 Mini Fit Jr. 10-pol. w79-w3
Mini Fit Jr. 10-pol. w79-w3

Freigabevermerk:		1		*/*		4320-82		08.12.2020		Ri		Date 15.03.2018		Name Ri		B400 R		Name Schaltplan B400 R / circuit diagram B400 R		Drawing Number 91040360		A2			
No.		Number appears		Change No.		Date		Name		Std.		4315-65		For this drawing we reserve all rights (acc. DIN ISO 16016)		Engineering Base 6.9.1		Type 7437		Dept. DS		No. of Sh.27		Sheet 17	



Hako GmbH
D-23840 Bad Oldesloe

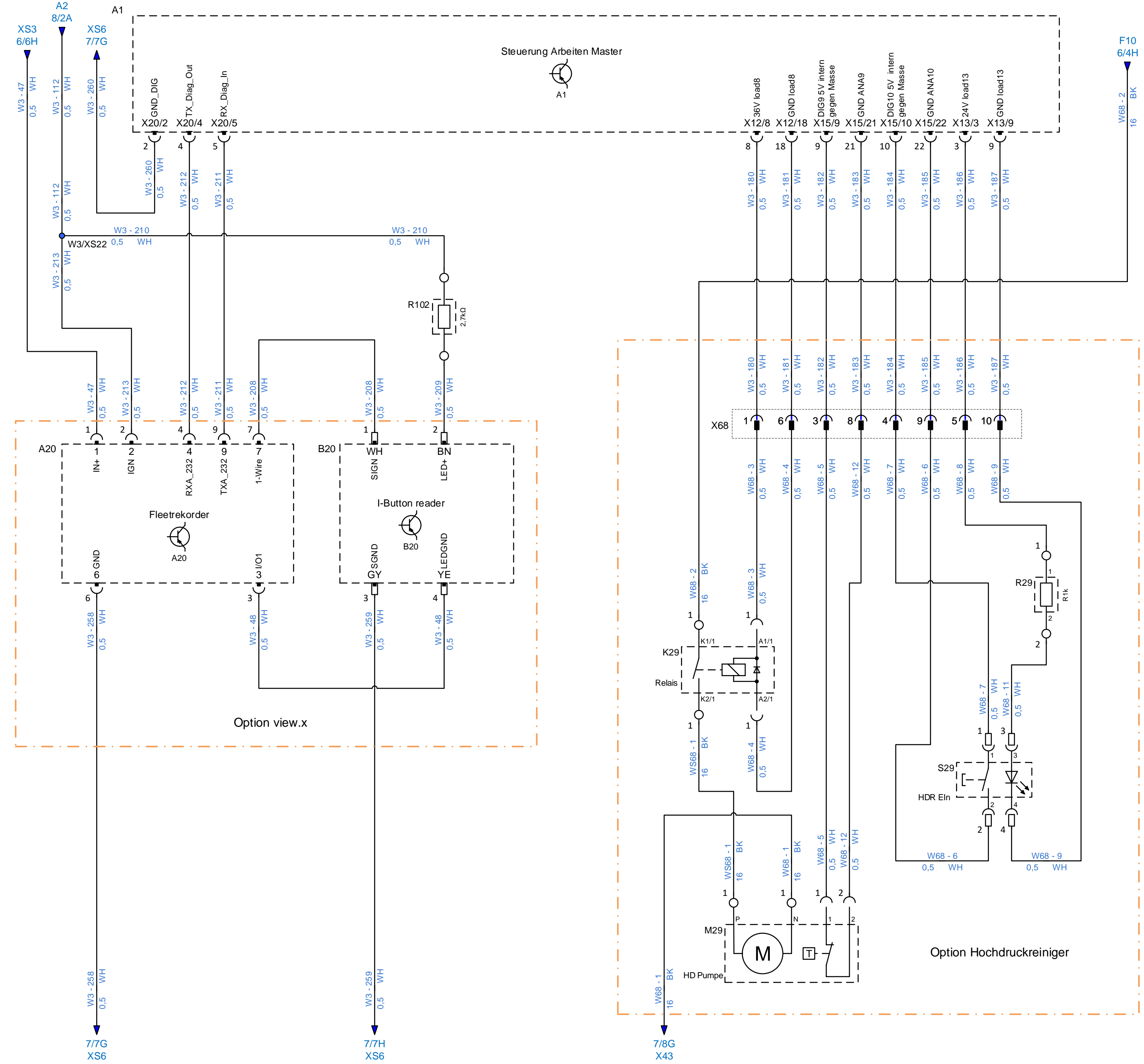


- ### Legende
- E5 Mehrkammerleuchte hinten links
combination light rear left
 - E6 Mehrkammerleuchte hinten rechts
combination light rear right
 - E7 Blinker vorne links
indicator front left
 - E8 Blinker vorne rechts
indicator front right
 - E9 Blinker links seitlich
indicator side left
 - E10 Blinker rechts seitlich
indicator side right
 - E18 Abblendscheinwerfer links LED
driving light left LED
 - E19 Abblendscheinwerfer rechts LED
driving light right LED
 - E22 Positionsleuchte links vorne
position light front left
 - E23 Positionsleuchte rechts vorne
position light front right
 - F30 Sicherung Positionsleuchte li 5A
fuse position light left 5A
 - F31 Sicherung Positionsleuchte re 5A
fuse position light right 5A
 - F32 Sicherung Abblendlicht 5A
fuse low-beam headlights 5A
 - W76/XS39 USSP
ussp
 - W76/XS41 USSP
ussp
 - W77/XS40 USSP
ussp
 - W77/XS42 USSP
ussp
 - W79/XS47 USSP
ussp
 - W79/XS49 USSP
ussp
 - W79/XS50 USSP
ussp
 - W79/XS52 USSP
ussp
 - W79/XS53 USSP
ussp
 - W79/XS54 USSP
ussp
 - X76 SuperSeal 4-pol. w76-w79
SuperSeal 4-pol. w76-w79
 - X77 SuperSeal 4-pol. w77-w79
SuperSeal 4-pol. w77-w79
 - X78 Mini Fit Jr. 10-pol. w78-w79
Mini Fit Jr. 10-pol. w78-w79

Freigabevermerk:			1		*/*		4320-82		08.12.2020		Ri		Date 18.12.2019		Name Ri		B400 R		Name Schaltplan B400 R / circuit diagram B400 R		Drawing Number 91040360		A2	
			No.		Number appears		Change No.		Date		Name		Std.		4315-65		Replacement for		For this drawing we reserve all rights (acc. DIN ISO 16016)		Engineering Base 6.9.1		Type 7437 Dept. DS	
			No.		Number appears		Change No.		Date		Name		Std.		4315-65		Replacement for		For this drawing we reserve all rights (acc. DIN ISO 16016)		Engineering Base 6.9.1		Type 7437 Dept. DS	
			No.		Number appears		Change No.		Date		Name		Std.		4315-65		Replacement for		For this drawing we reserve all rights (acc. DIN ISO 16016)		Engineering Base 6.9.1		Type 7437 Dept. DS	

Legende

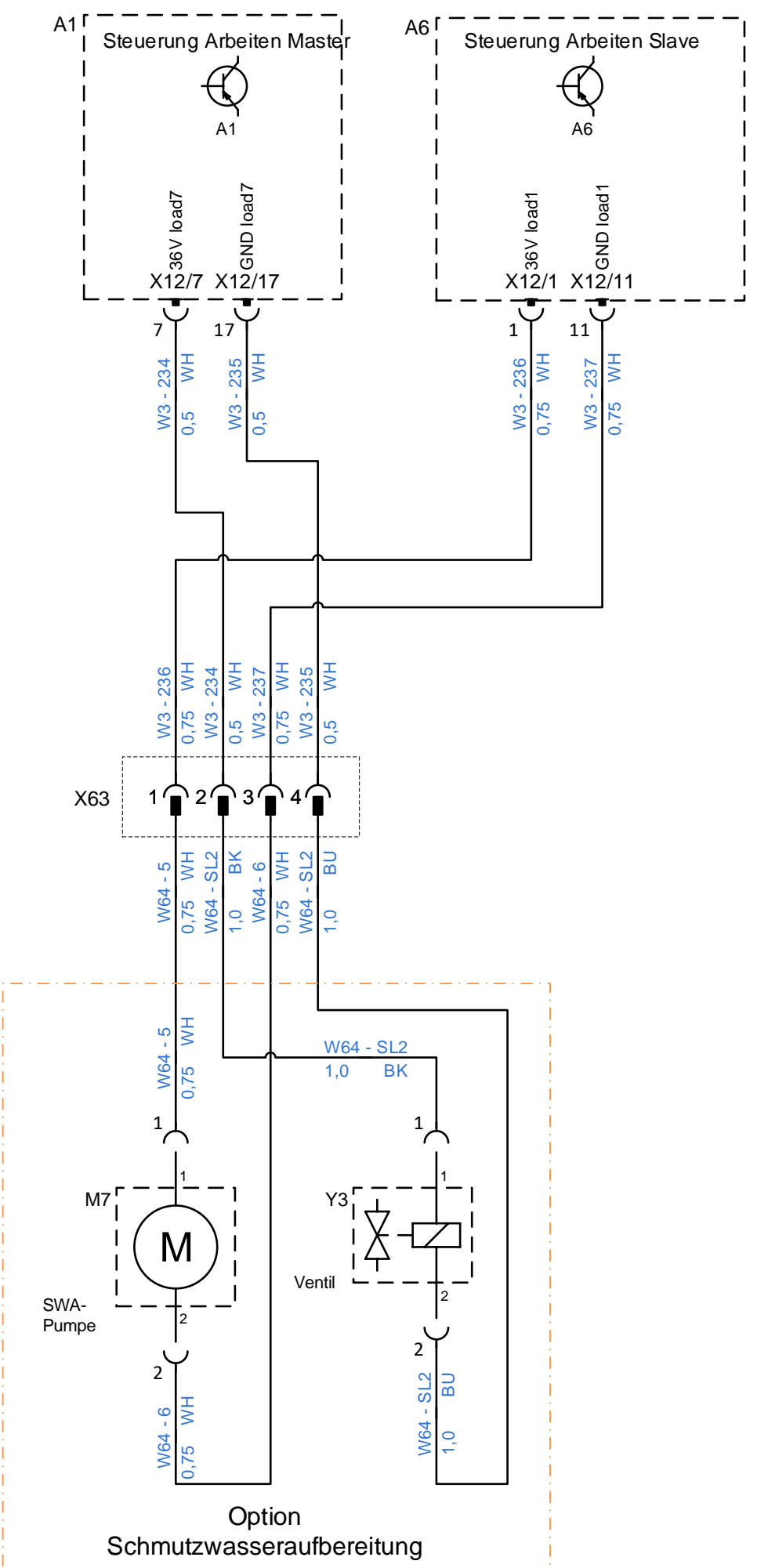
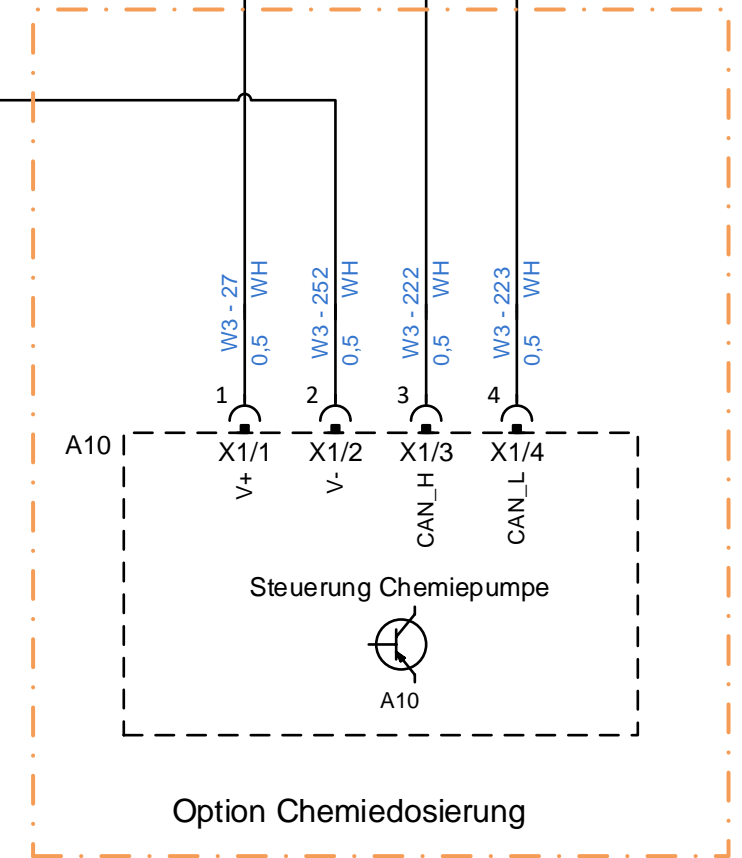
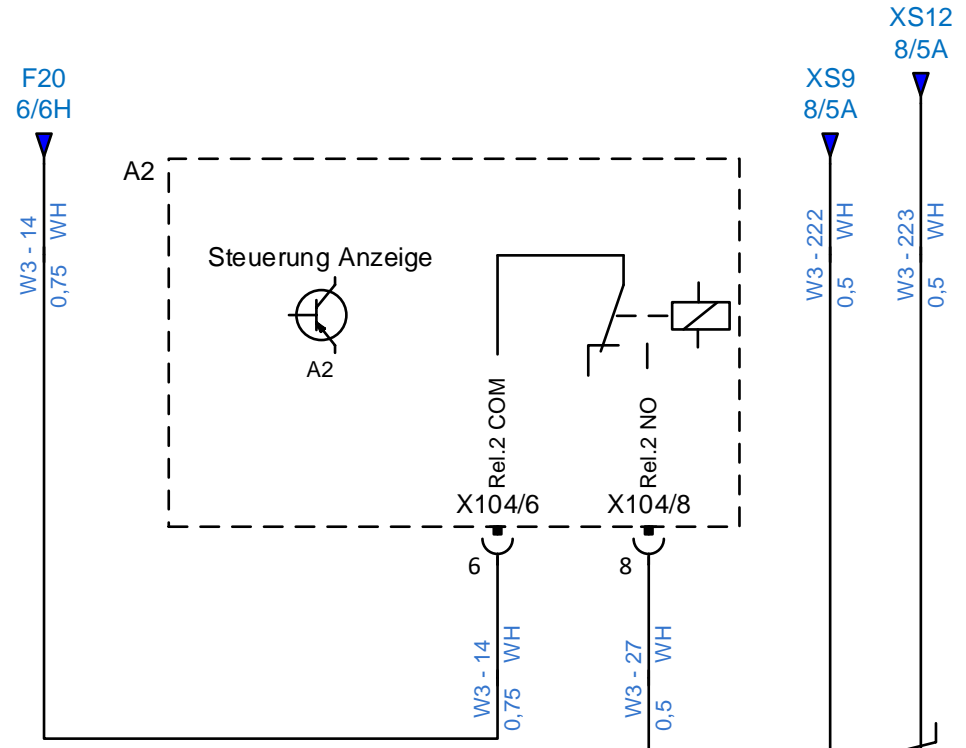
- A1 Steuerung Arbeiten Master
controller working master
- A20 Fleetrekorder
fleetrecorder
- B20 I-Button reader
I-Button reader
- K29 Relais Pumpe HDR
relays high pressure pump
- M29 Hochdruckpumpe
high pressure pump
- R29 widerstand R1k
resistor 1k
- R102 widerstand 2,7kΩ
resistor 2,7kΩ
- S29 Taster HDR EIN
switch HDR on
- W3/XS22 ussp
ussp
- X68 Mini-Fit Jr. 10-pol. w68-w3
Mini-Fit Jr. 10-pol. w68-w3




Freigabevermerk:		1	*/*	4320-82	08.12.2020	Ri	Date	Name	B400 R	Name	Drawing Number		A2		
		No.	Number appears	Change No.	Date	Name	Std.		Replacement for	Schaltplan B400 R / circuit diagram B400 R		91040360			
		For this drawing we reserve all rights (acc. DIN ISO 16016)								Engineering Base 6.9.1		Type 7437	Dept. DS	No. of Sh.27	Sheet 19

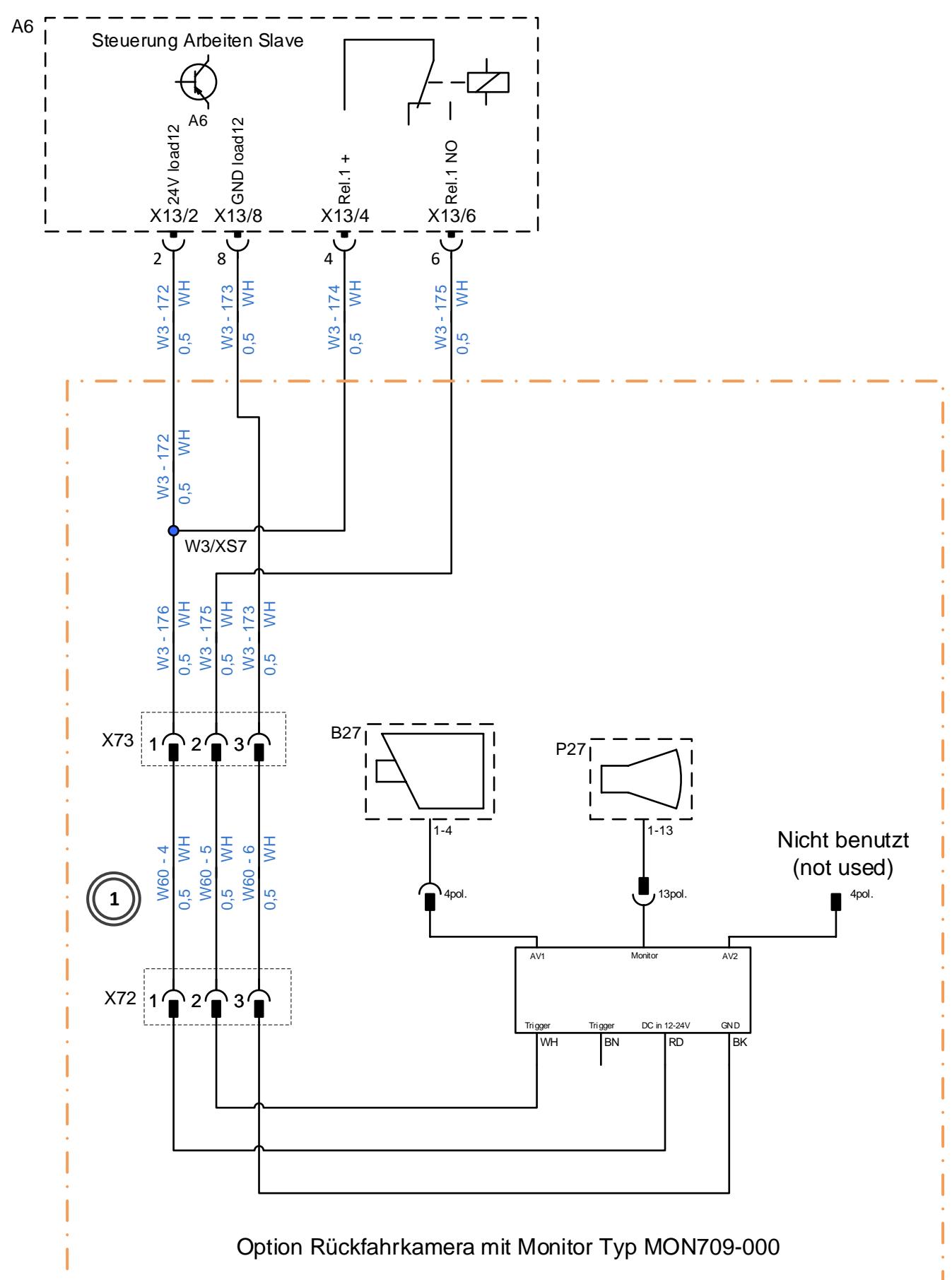
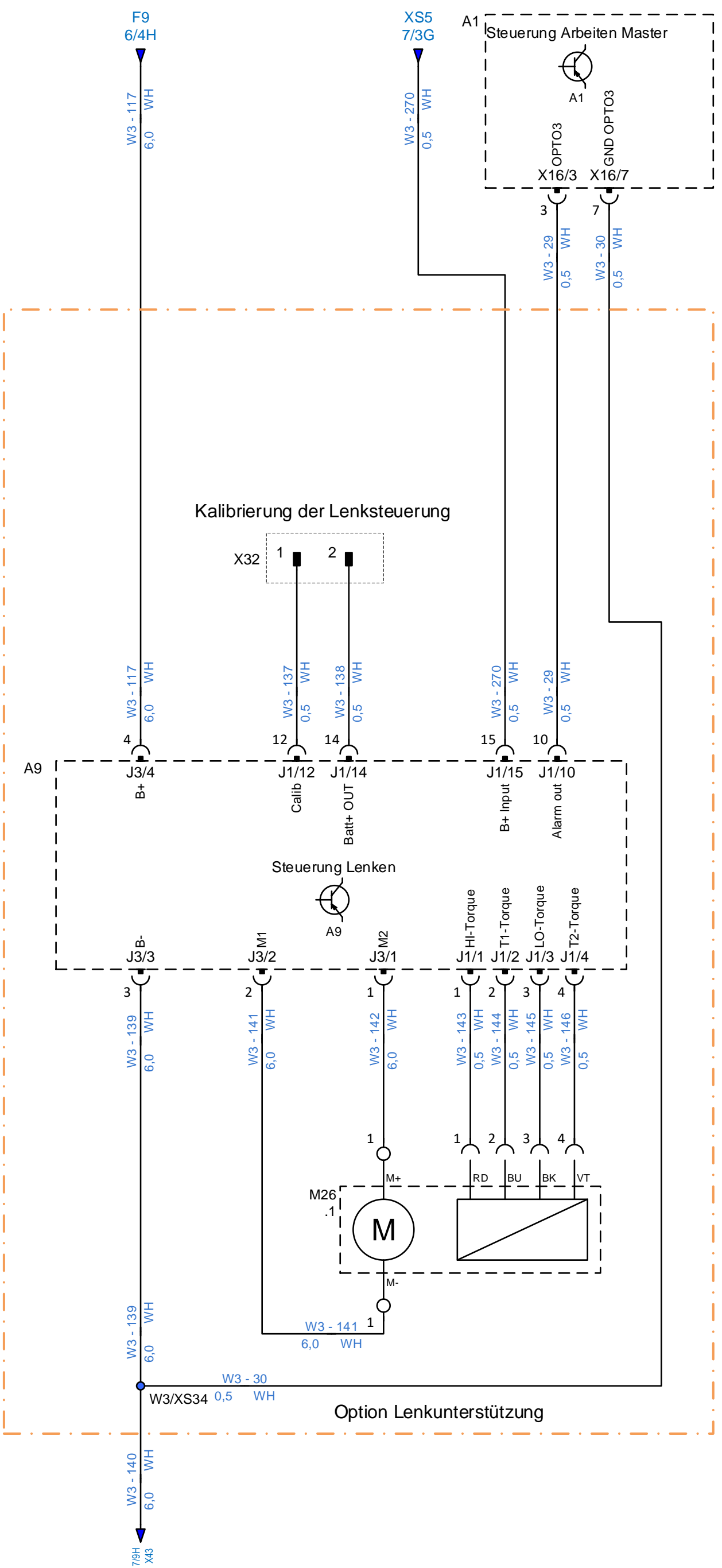


Hako GmbH
D-23840 Bad Odesloe




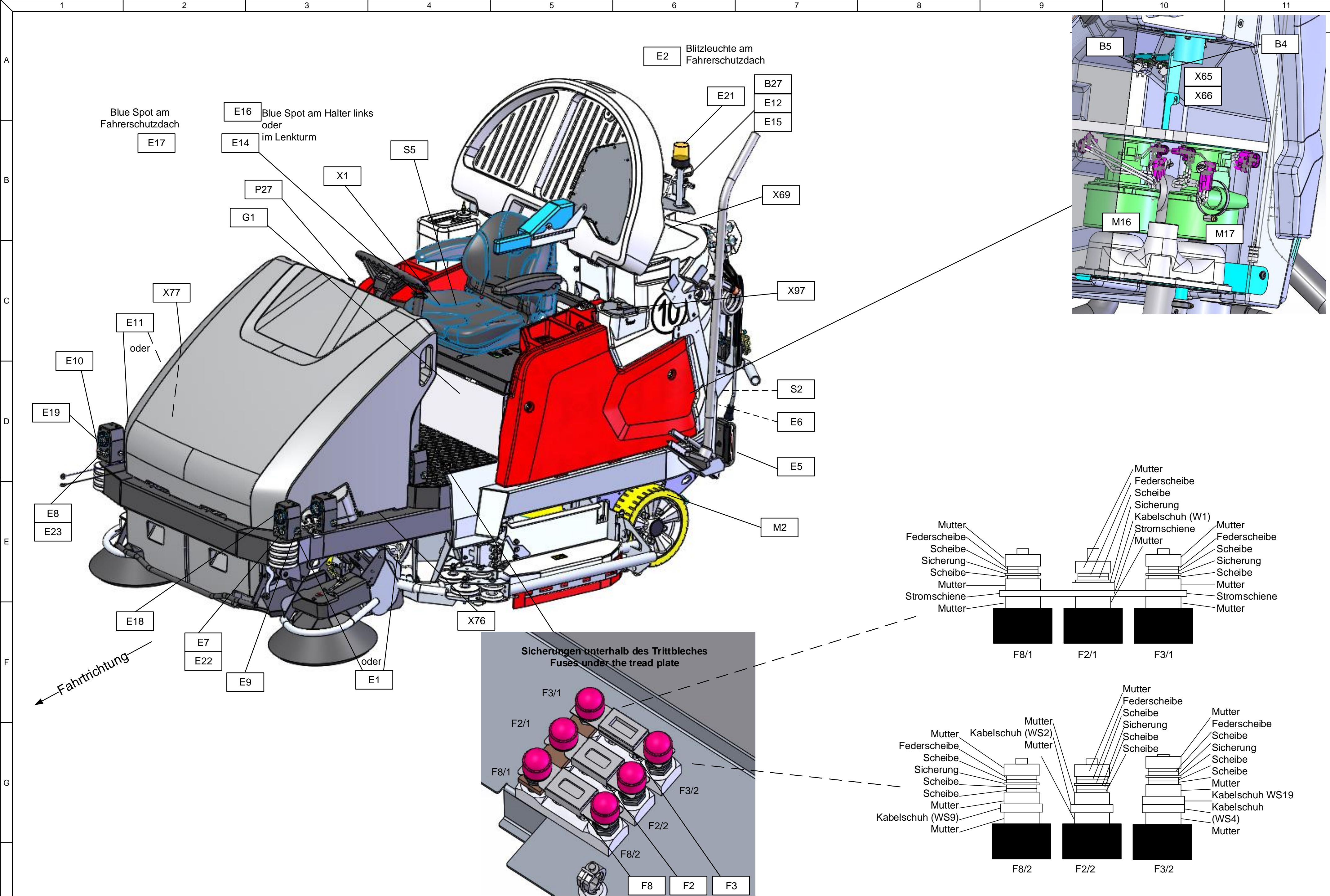
- Legende**
- A1 Steuerung Arbeiten Master
controller working master
 - A2 Steuerung Anzeige
controller display
 - A6 Steuerung Arbeiten Slave
controller working slave
 - A10 Steuerung Chemiepumpe
controller chemical pump
 - M7 Wasserrecyclingpumpe
water recycling pump
 - X63 Mini Fit Jr. 4-pol. w64-w3
Mini Fit Jr. 4-pol. w64-w3
 - Y3 Ventil Wasserrecycling
valve waterrecycling

Freigabevermerk:		1	*/*	4320-82	08.12.2020	Ri	Date	Name	B400 R	Name	Schaltplan B400 R / circuit diagram B400 R		 Hako GmbH D-23840 Bad Oldesloe		Drawing Number		A2
							Drawn	15.03.2018	Ri	Replacement for		Engineering Base 6.9.1		Type 7437	Dept. DS	No. of Sh. 27	Sheet 20
		No.	Number appears	Change No.	Date	Name	Std.		4315-65	For this drawing we reserve all rights (acc. DIN ISO 16016)							

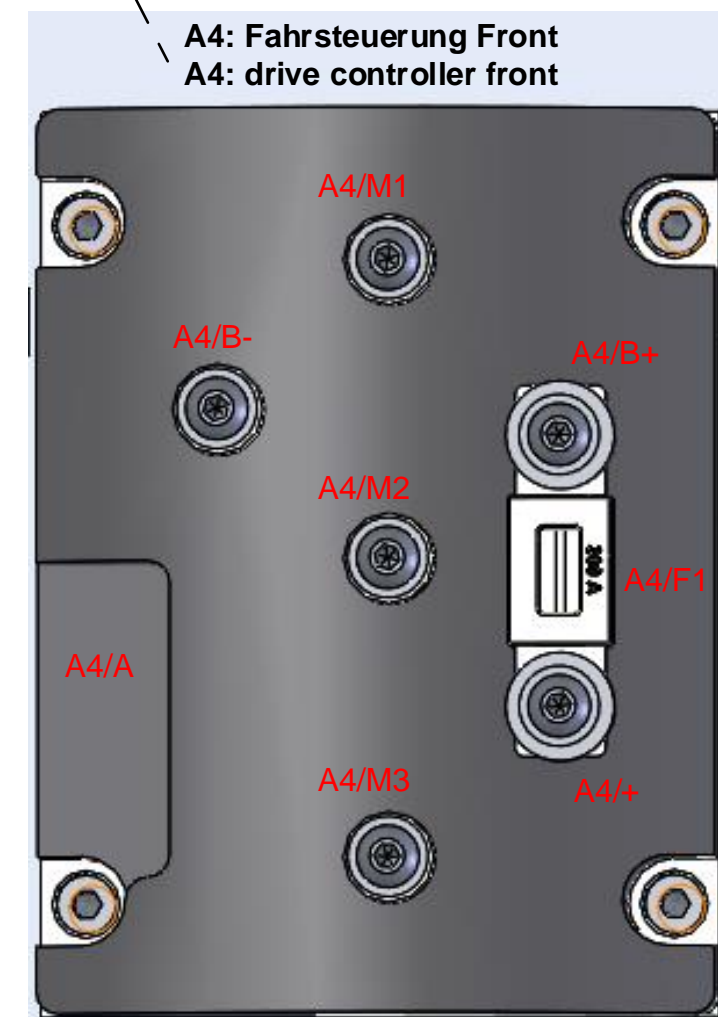
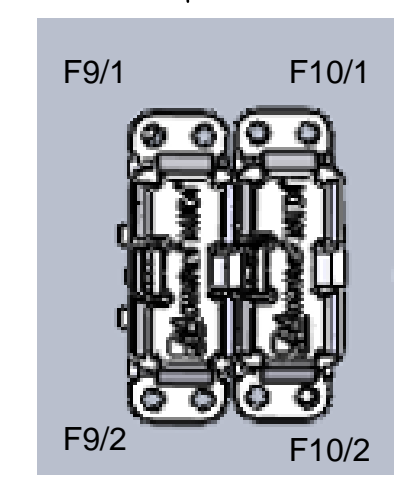
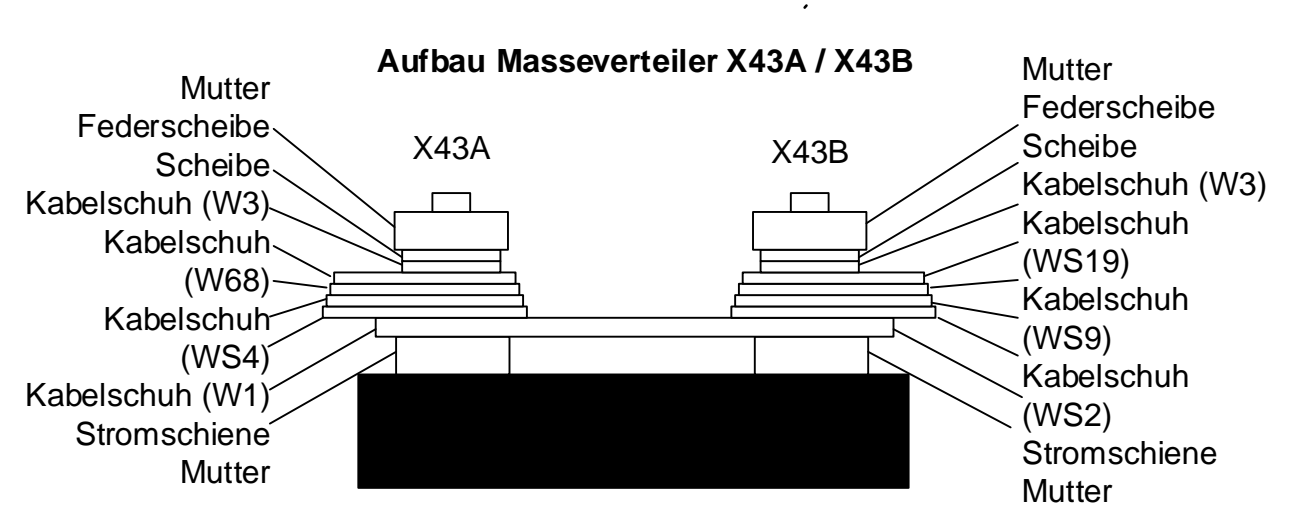
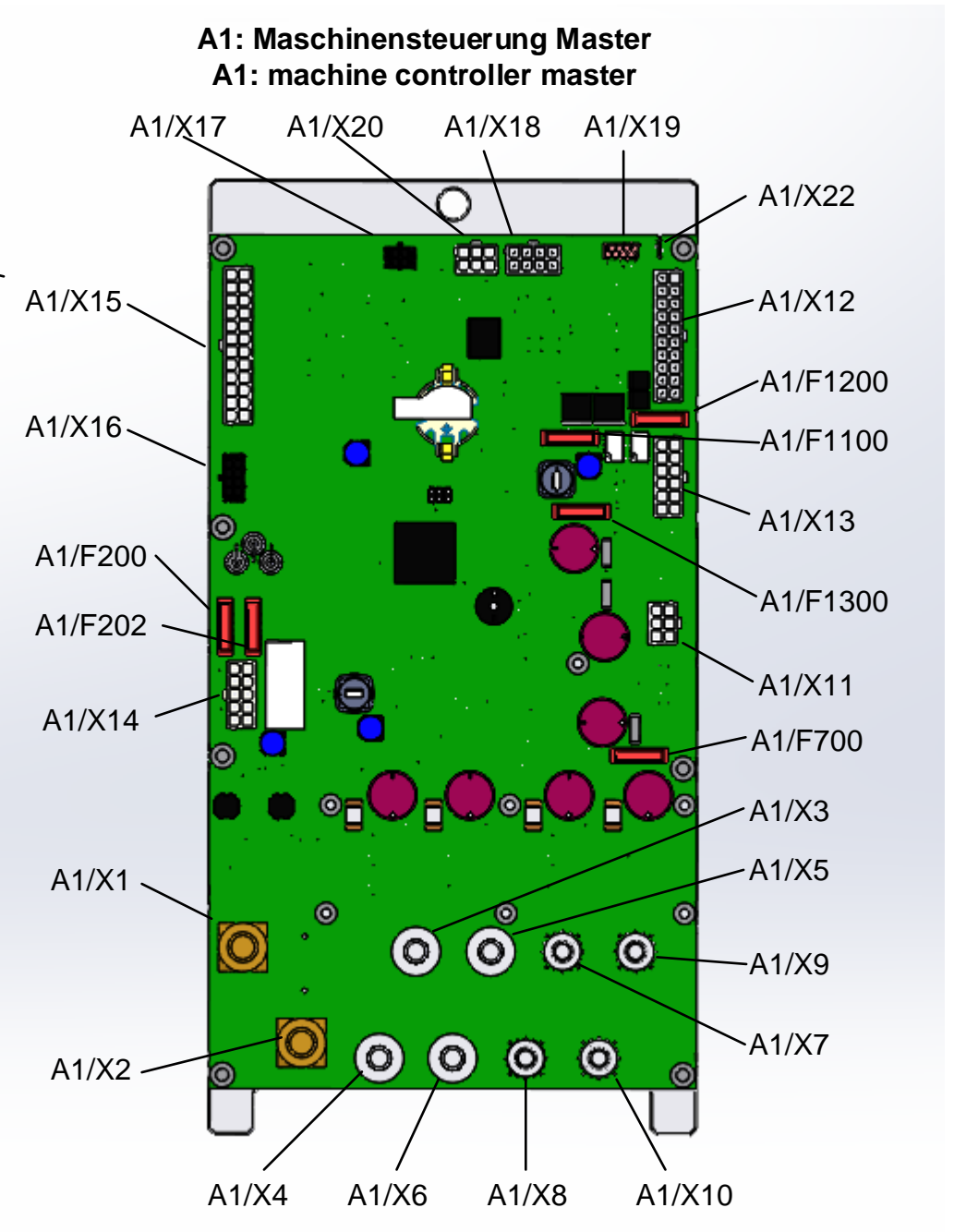
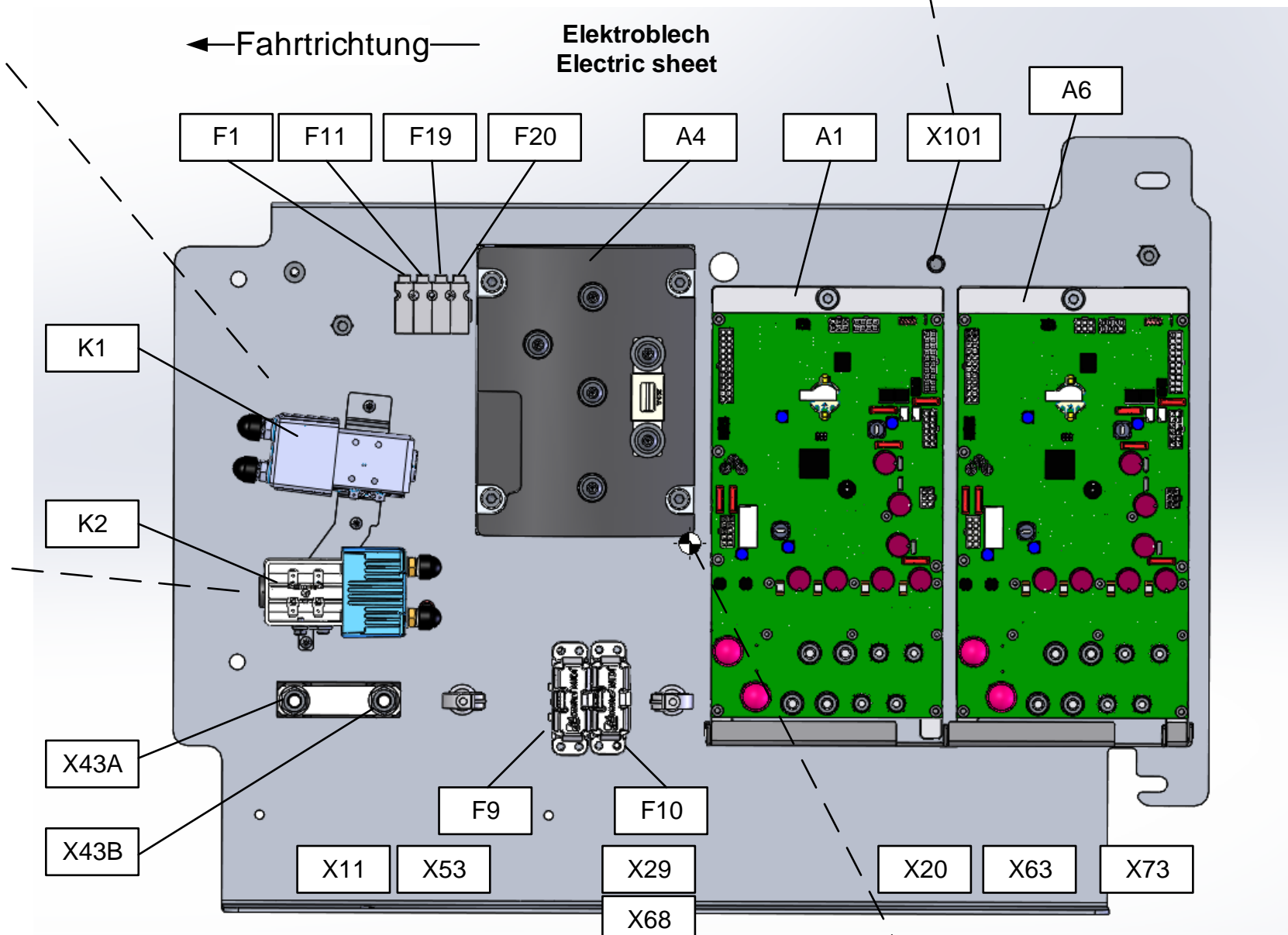
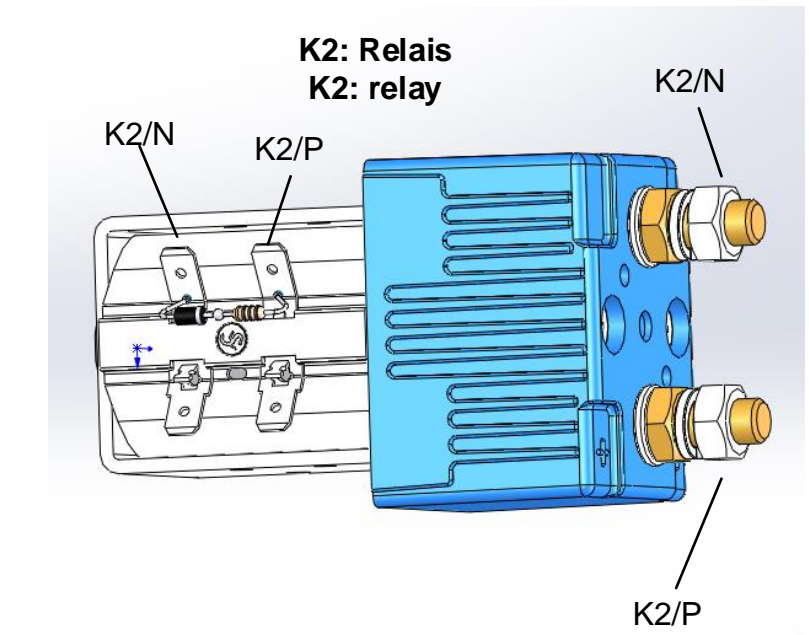
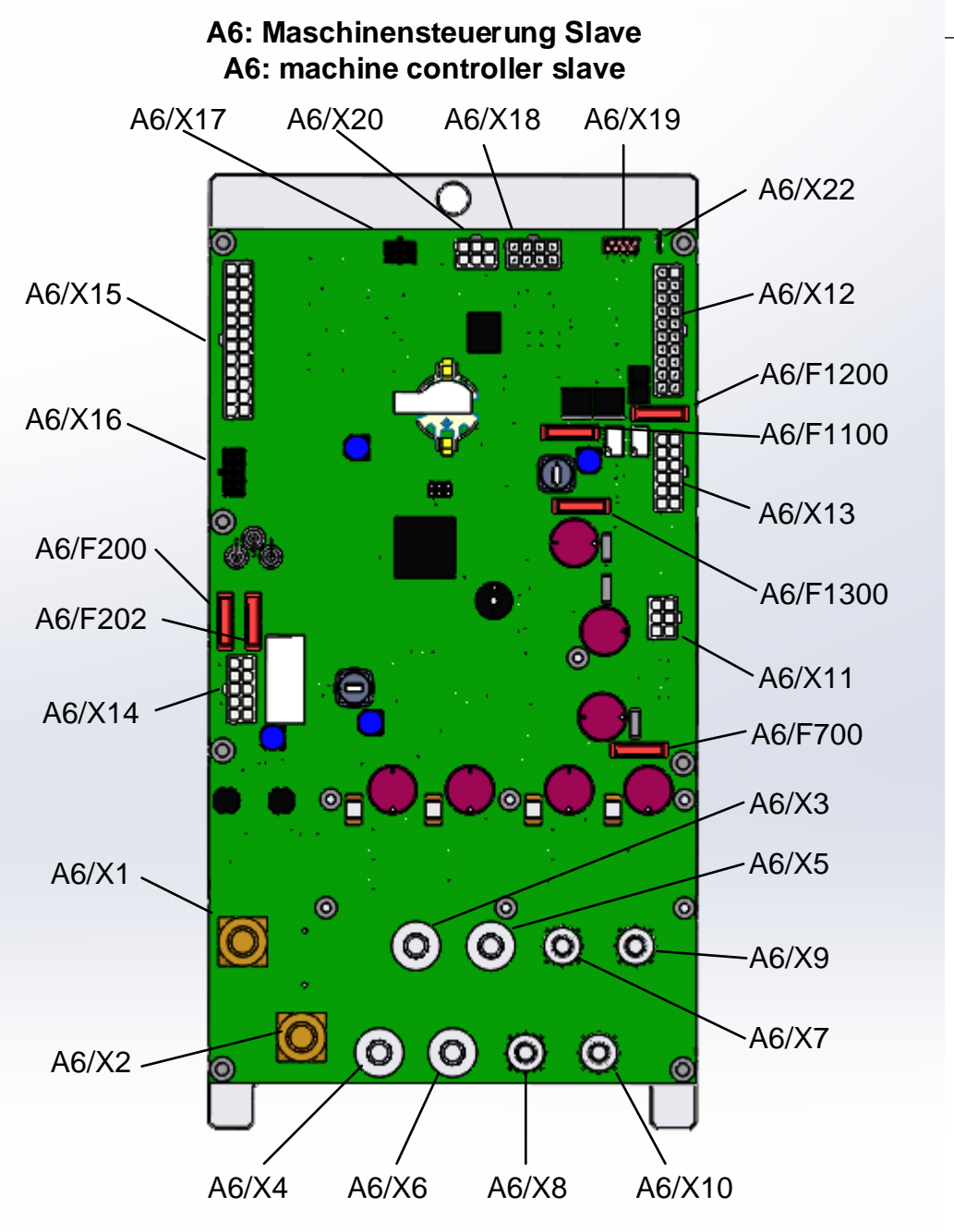
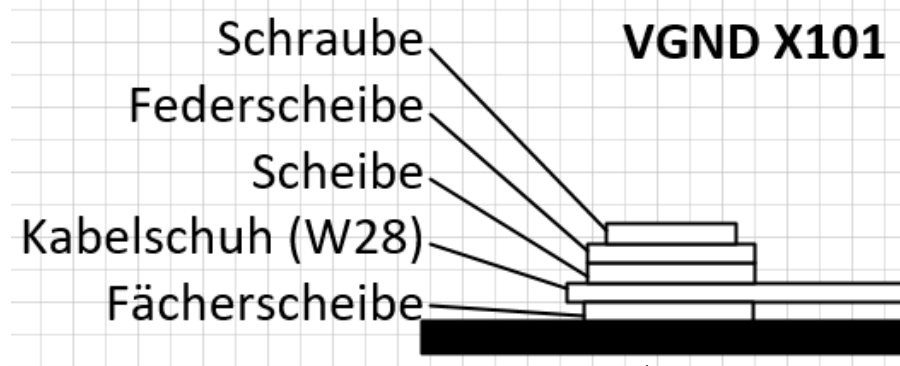
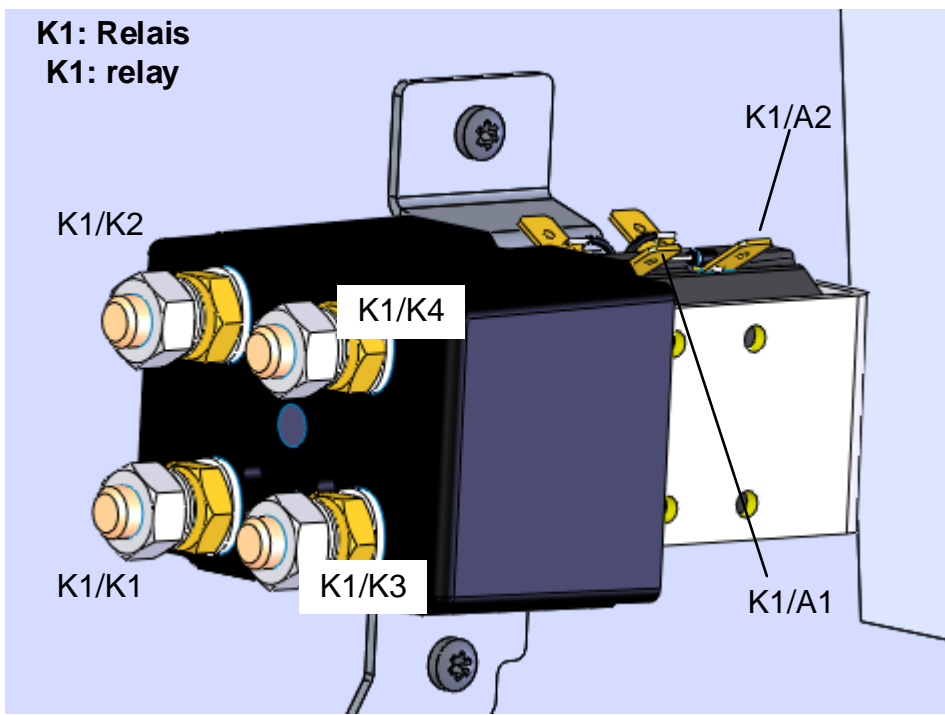


- Legende**
- A1 Steuerung Arbeiten Master controller working master
 - A6 Steuerung Arbeiten Slave controller working slave
 - A9 Steuerung Lenken controller steering
 - B27 Kamera camera
 - M26 Lenkmotor steering motor
 - P27 Monitor display
 - W3/XS7 USSP ussp
 - W3/XS34 USSP ussp
 - X32 Mini-Fit Jr. 2-pol. W3 Mini-Fit Jr. 2-pol. W3
 - X72 6.3 Fastin Faston 3-pol.-W60 6.3 Fastin Faston 3-pol.-W60
 - X73 6.3 Fastin Faston 3-pol. W60-W3 6.3 Fastin Faston 3-pol. W60-W3

Freigabevermerk:		1	1x	4320-82	08.12.2020	Ri	Date	Name	B400 R	Name	Schaltplan B400 R / circuit diagram B400 R		 Hako GmbH D-23840 Bad Oldesloe		Drawing Number	A2
		No.	Number appears	Change No.	Date	Name	Std.		4315-65	For this drawing we reserve all rights (acc. DIN ISO 16016)		Engineering Base 6.9.1	Type 7437	Dept. DS	No. of Sh.27	Sheet 21

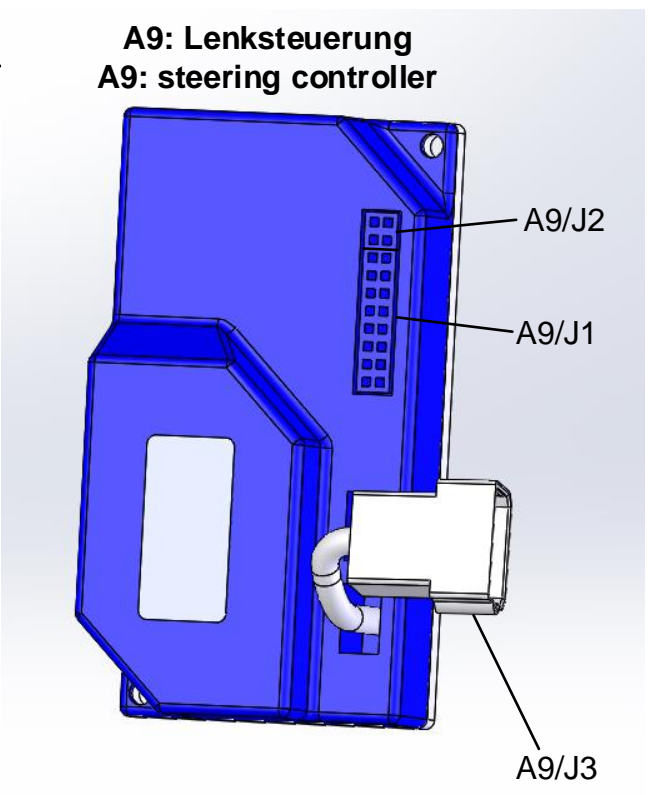
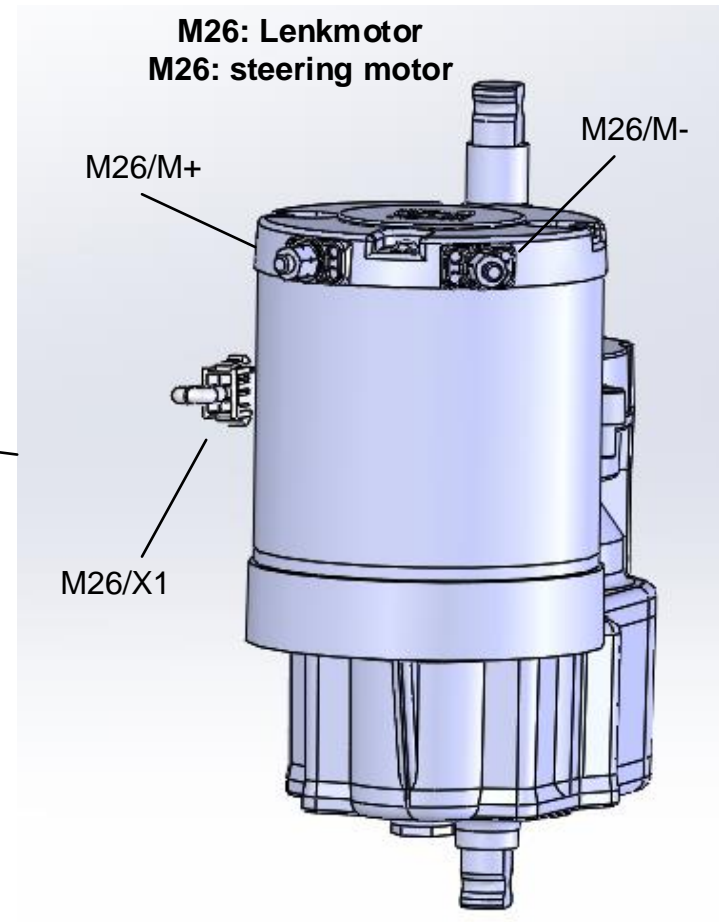
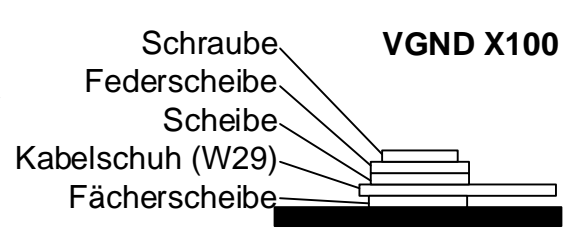
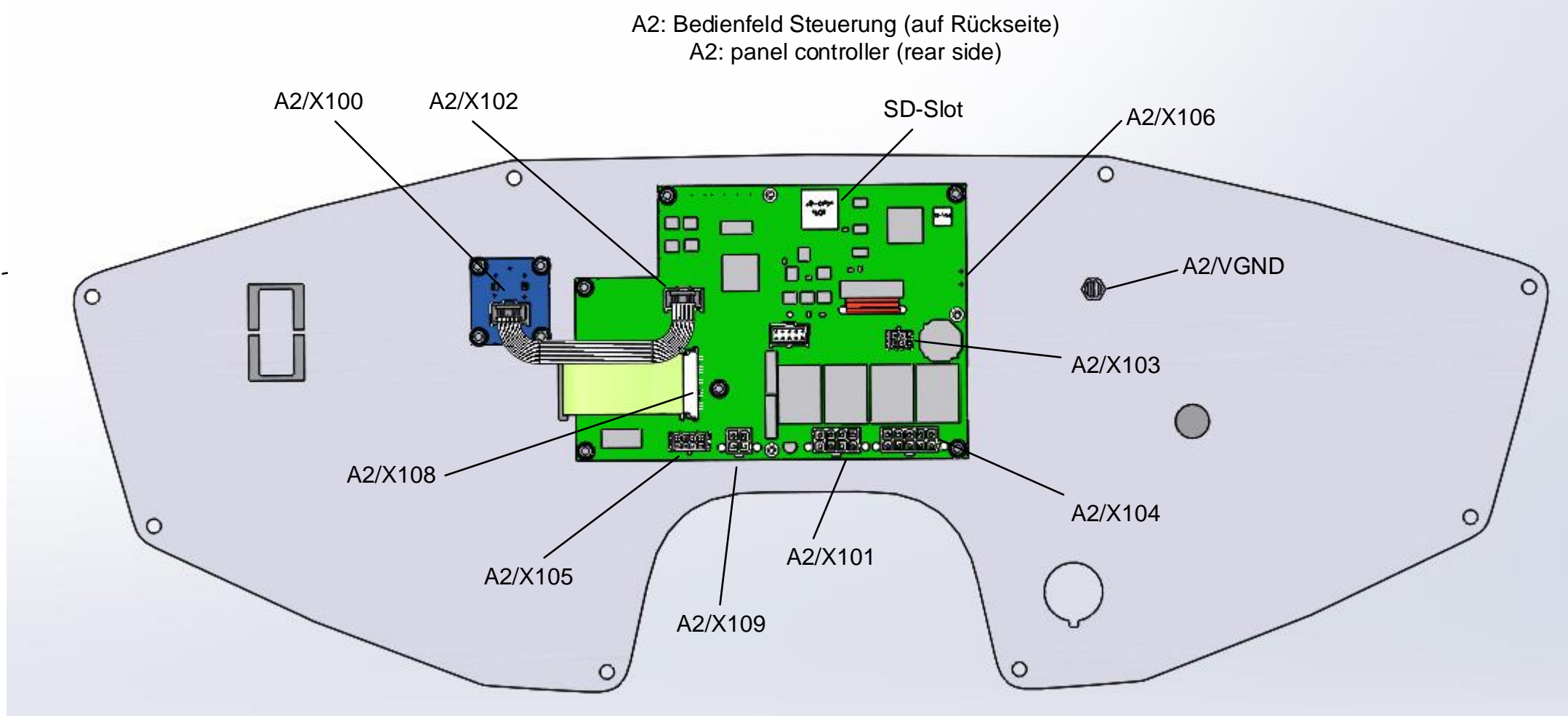
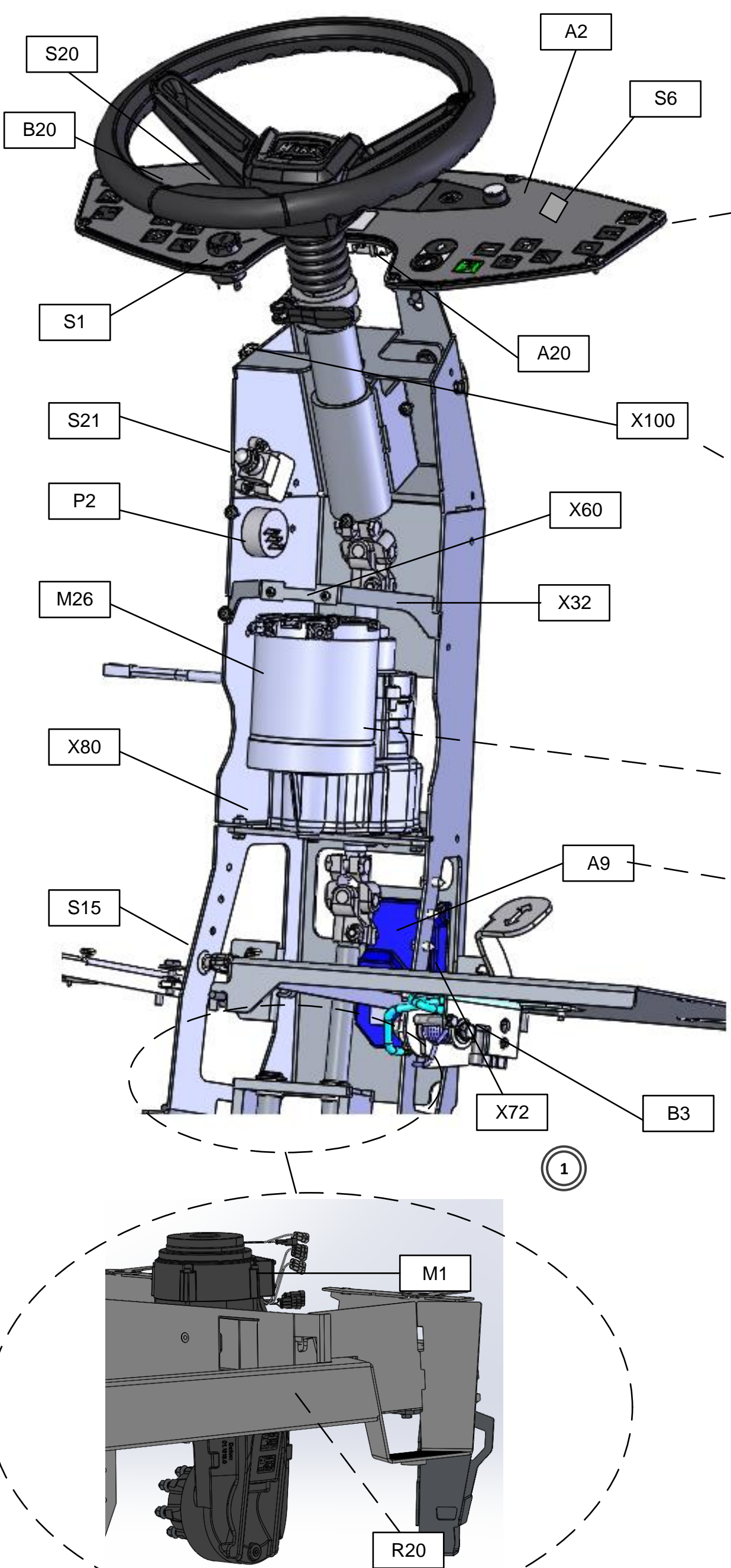


Freigabevermerk:		1	*/	4320-82	08.12.2020	Ri	Date	Name	B400 R	Name	Hako		Drawing Number	A2
							Drawn	11.12.2019	Ri	Schaltplan B400 R / circuit diagram B400 R		Hako GmbH	91040360	
							Verified			Replacement for		D-23840 Bad Oldesloe	No. of Sh. 27	Sheet 22
							Std.		4315-65	For this drawing we reserve all rights (acc. DIN ISO 16016)		Engineering Base 6.9.1	Type 7437	Dept. DS



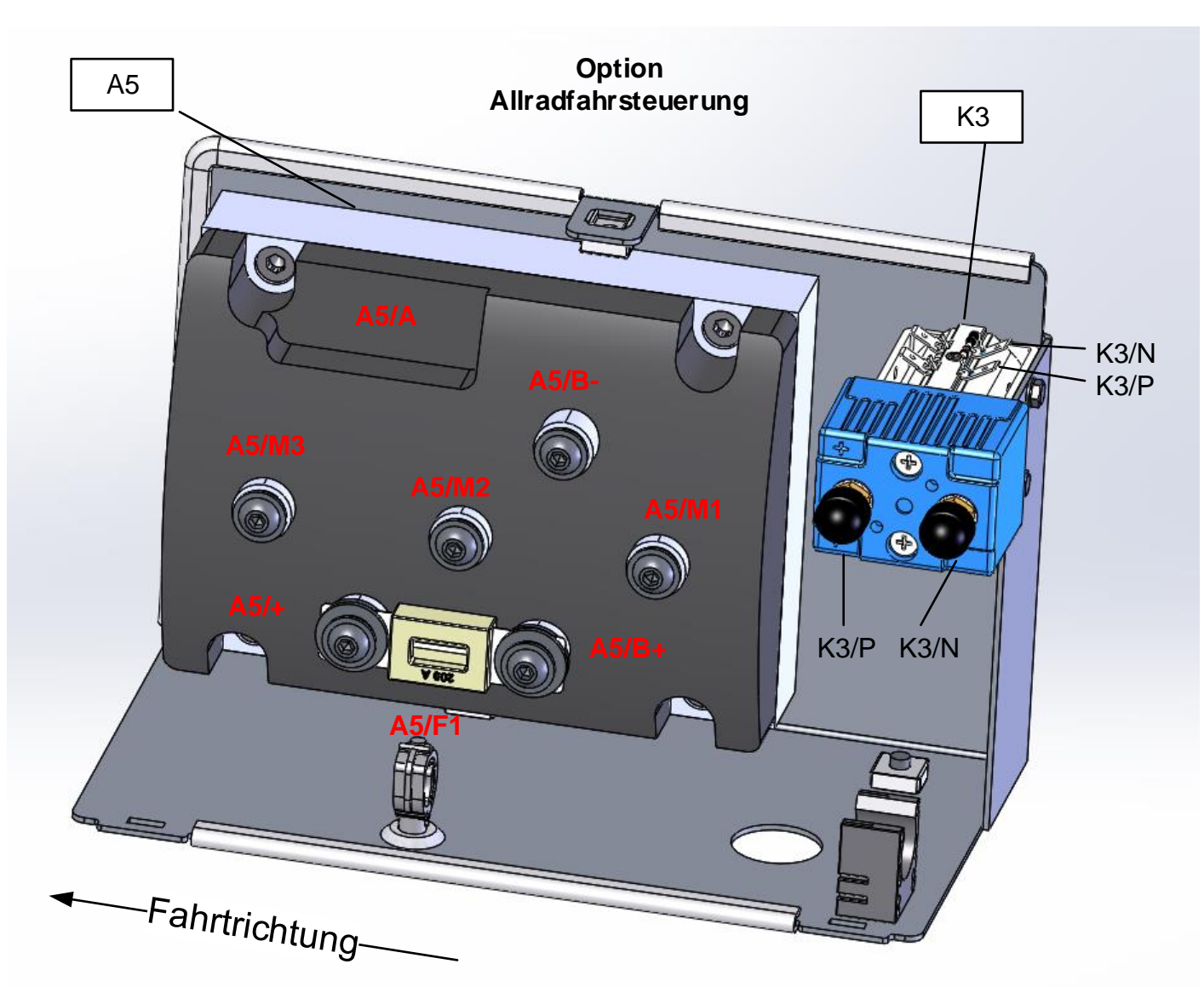
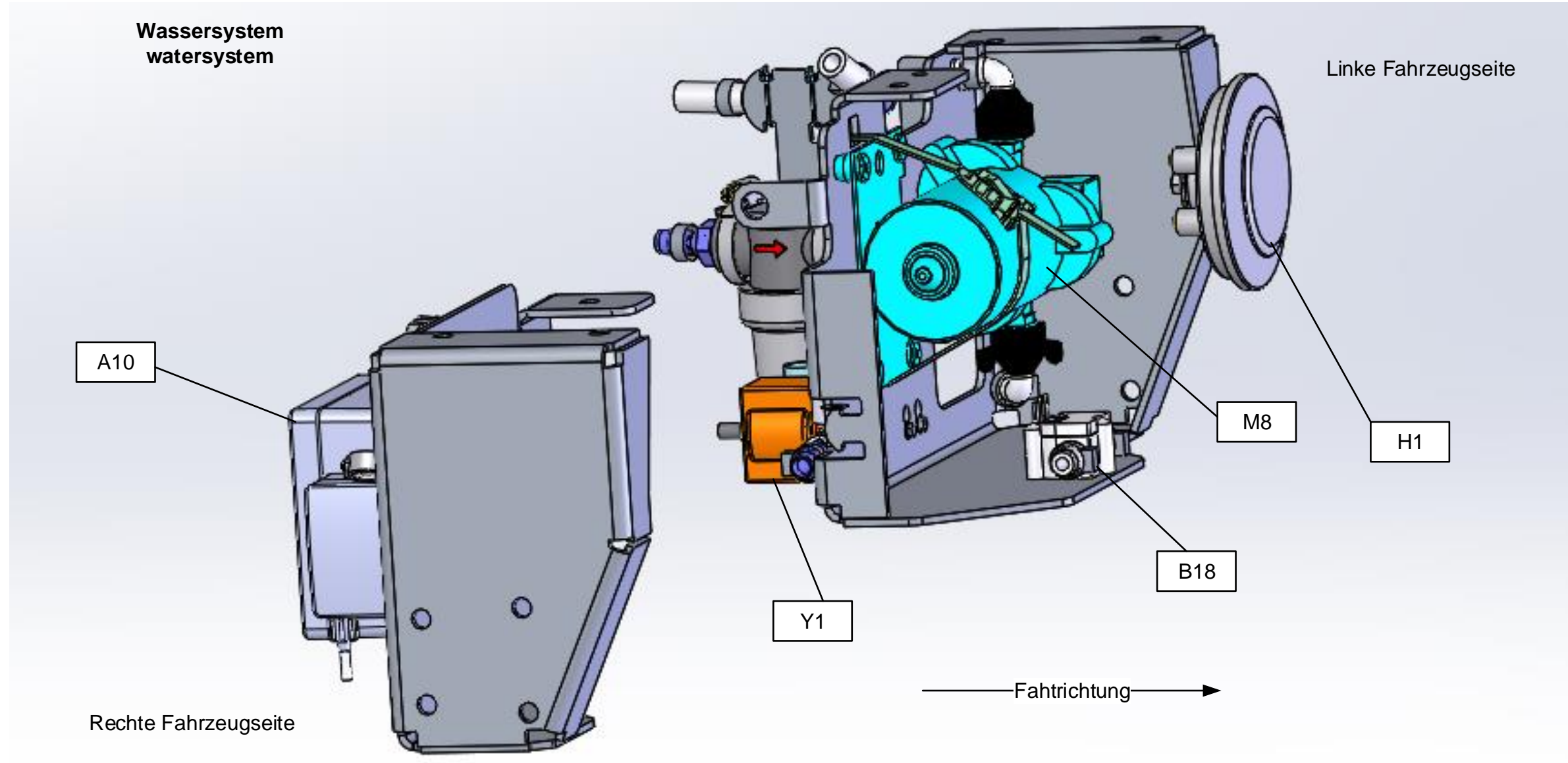
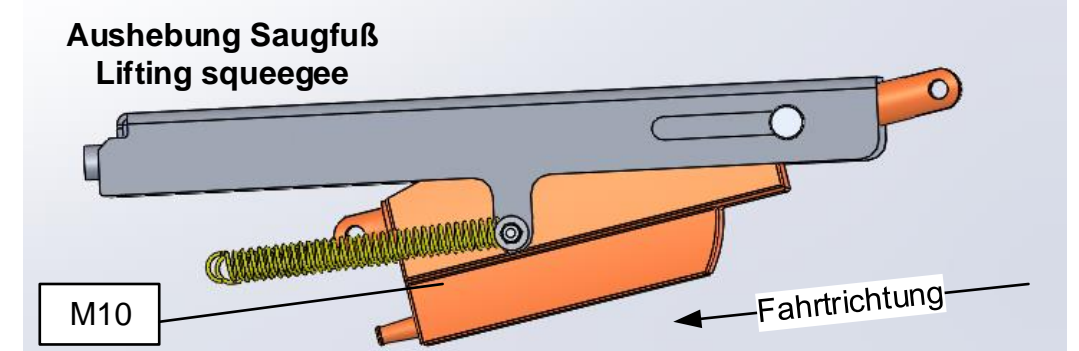
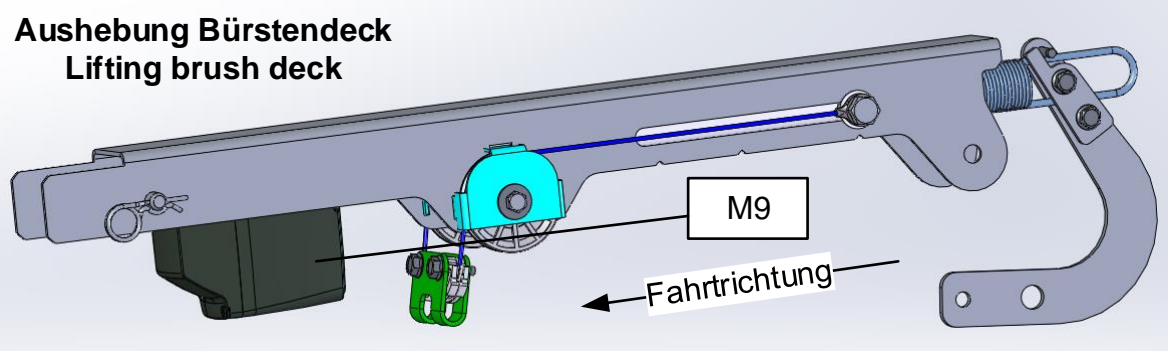
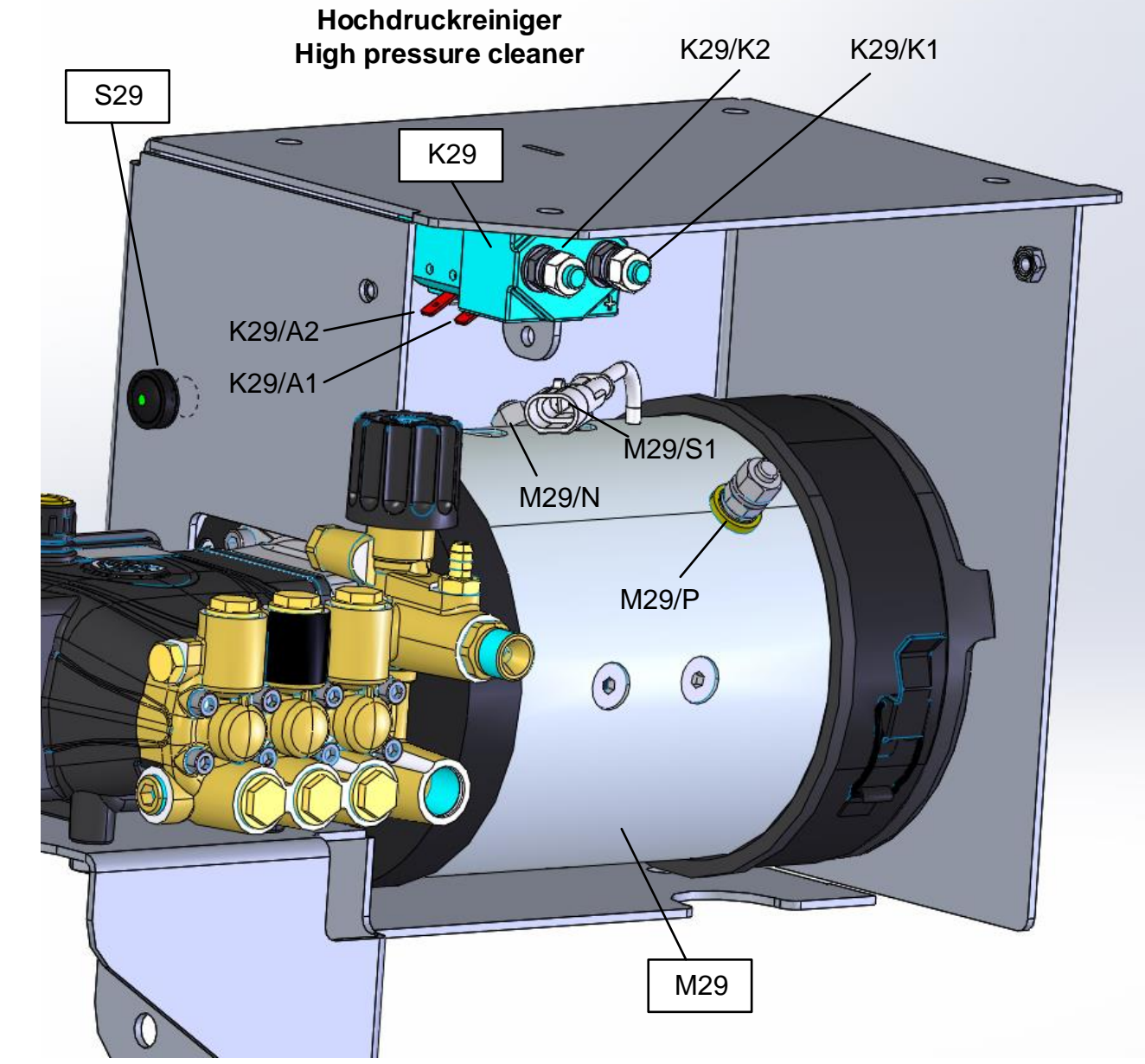
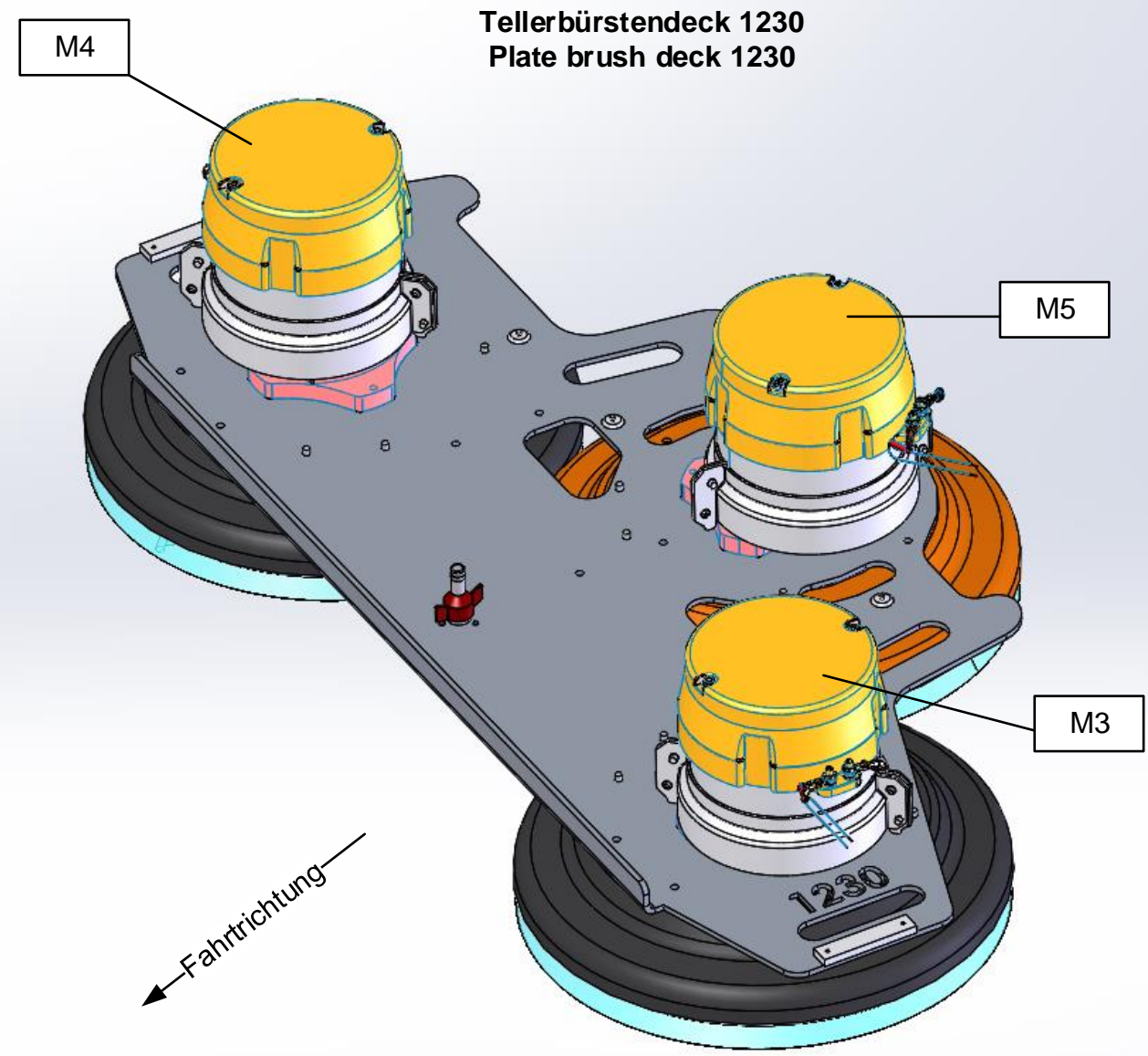
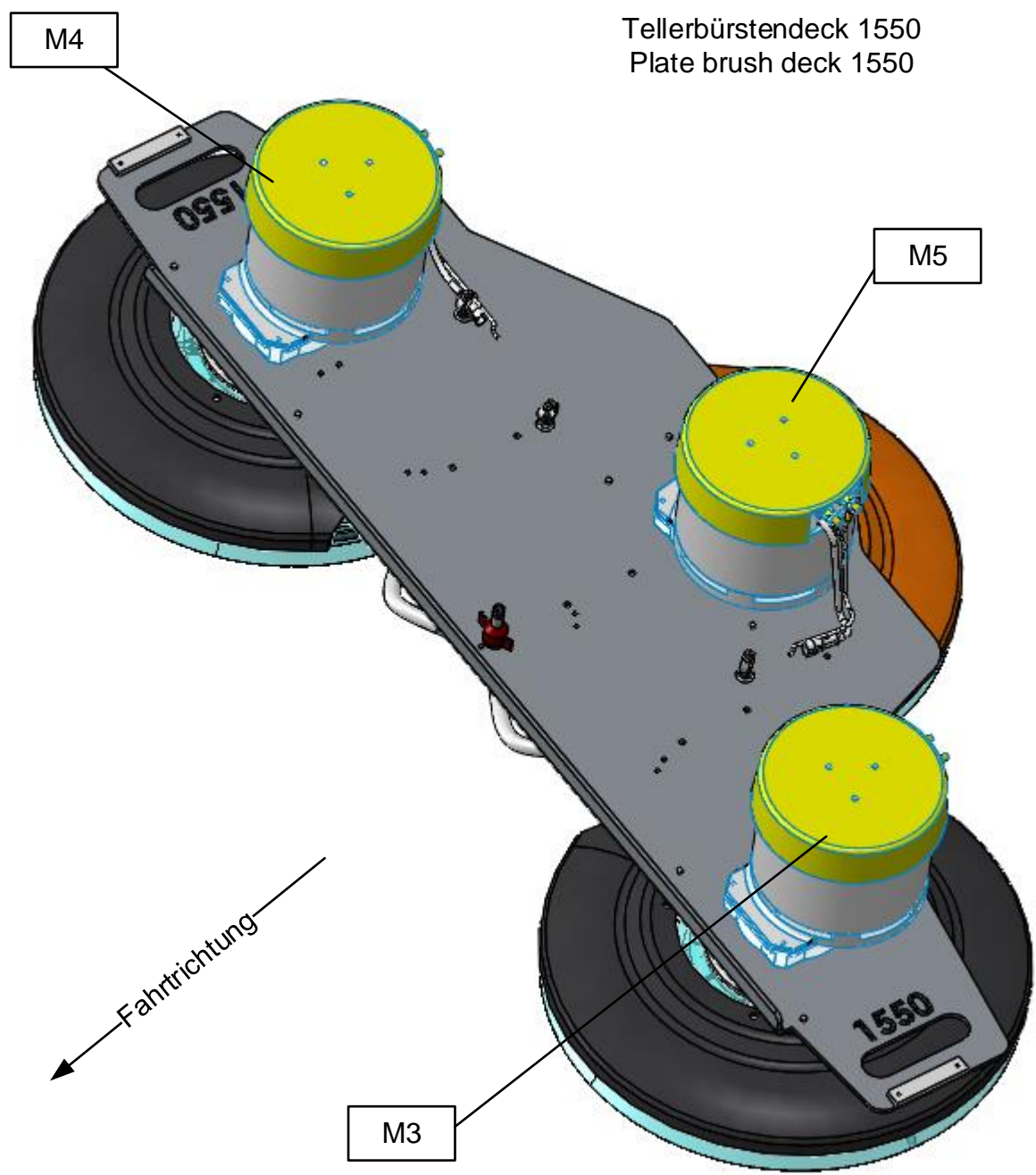
Freigabevermerk:		1	*/	4320-82	08.12.2020	Ri	Date	Name	B400 R	Name	Drawing Number		A2
							Drawn	15.03.2018	Ri	Schaltplan B400 R / circuit diagram B400 R		91040360	
		No.	Number appears	Change No.	Date	Name	Std.			For this drawing we reserve all rights (acc. DIN ISO 16016)		Engineering Base 6.9.1	Sheet 23
									4315-65	Type 7437		Dept. DS	No. of Sh. 27





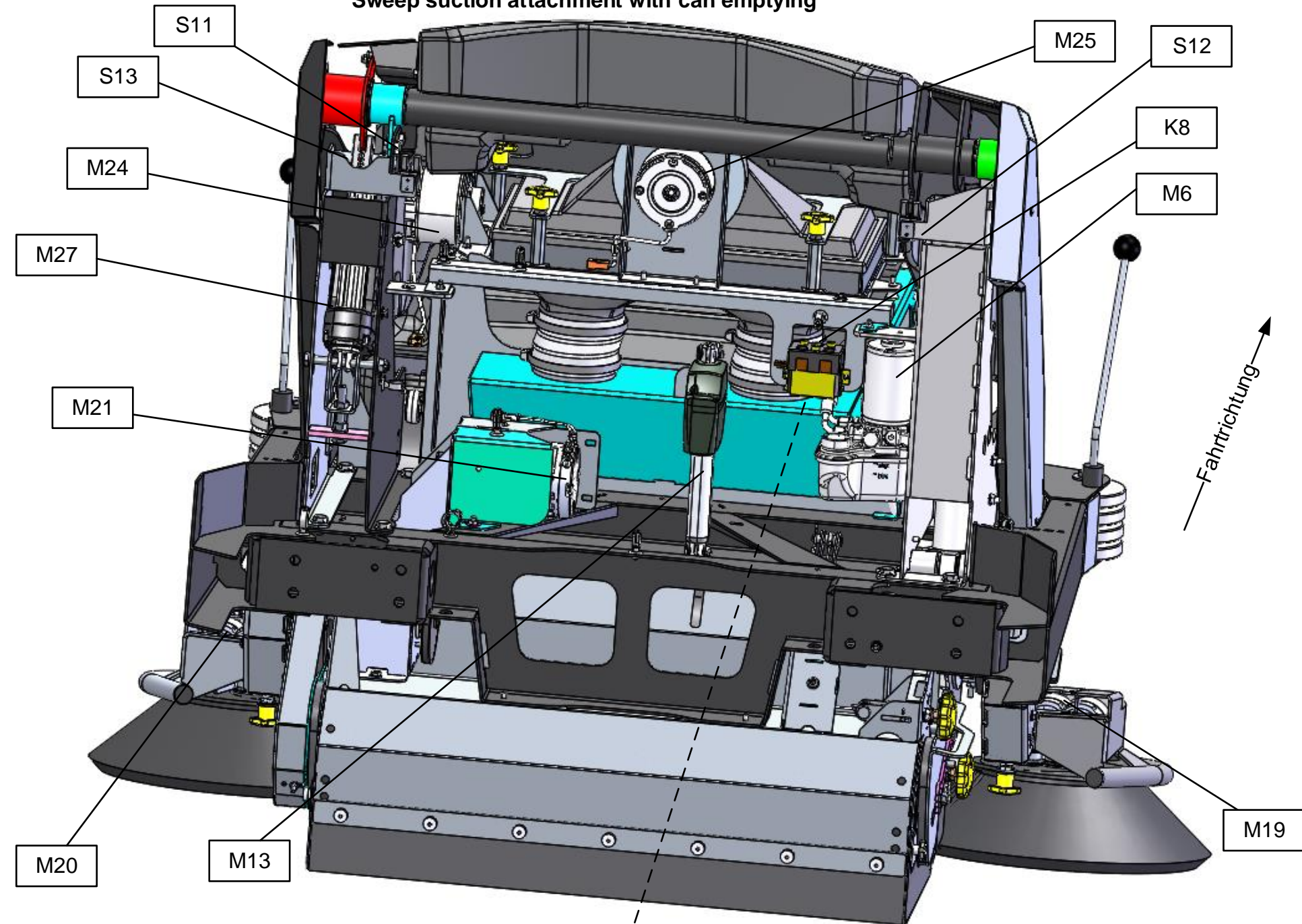
Fahrtrichtung →

Freigabevermerk:		1	1x	4320-82	08.12.2020	Ri	Drawn	15.03.2018	Ri	B400 R		Name		Schaltplan B400 R / circuit diagram B400 R		 Hako GmbH D-23840 Bad Oldesloe		Drawing Number		A2	
		No.	Number appears	Change No.	Date	Name	Std.			Replacement for		For this drawing we reserve all rights (acc. DIN ISO 16016)		Engineering Base 6.9.1		Type 7437 Dept. DS		No. of Sh. 27		Sheet 24	
										4315-65											

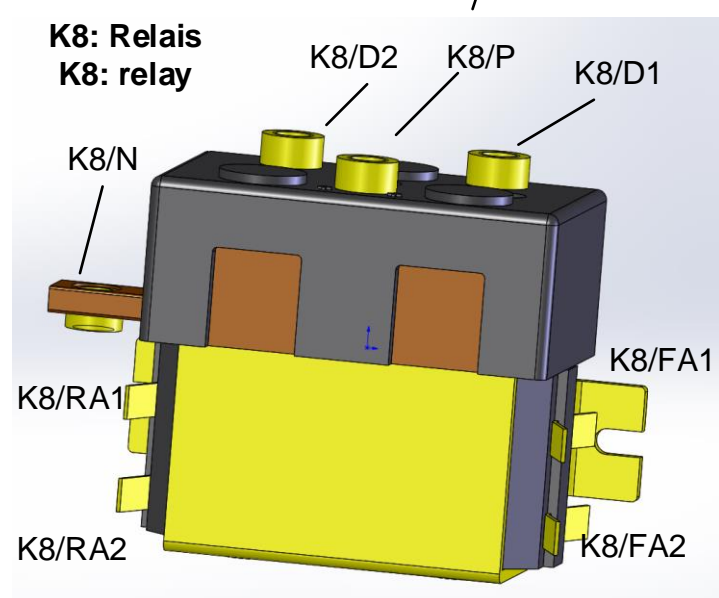
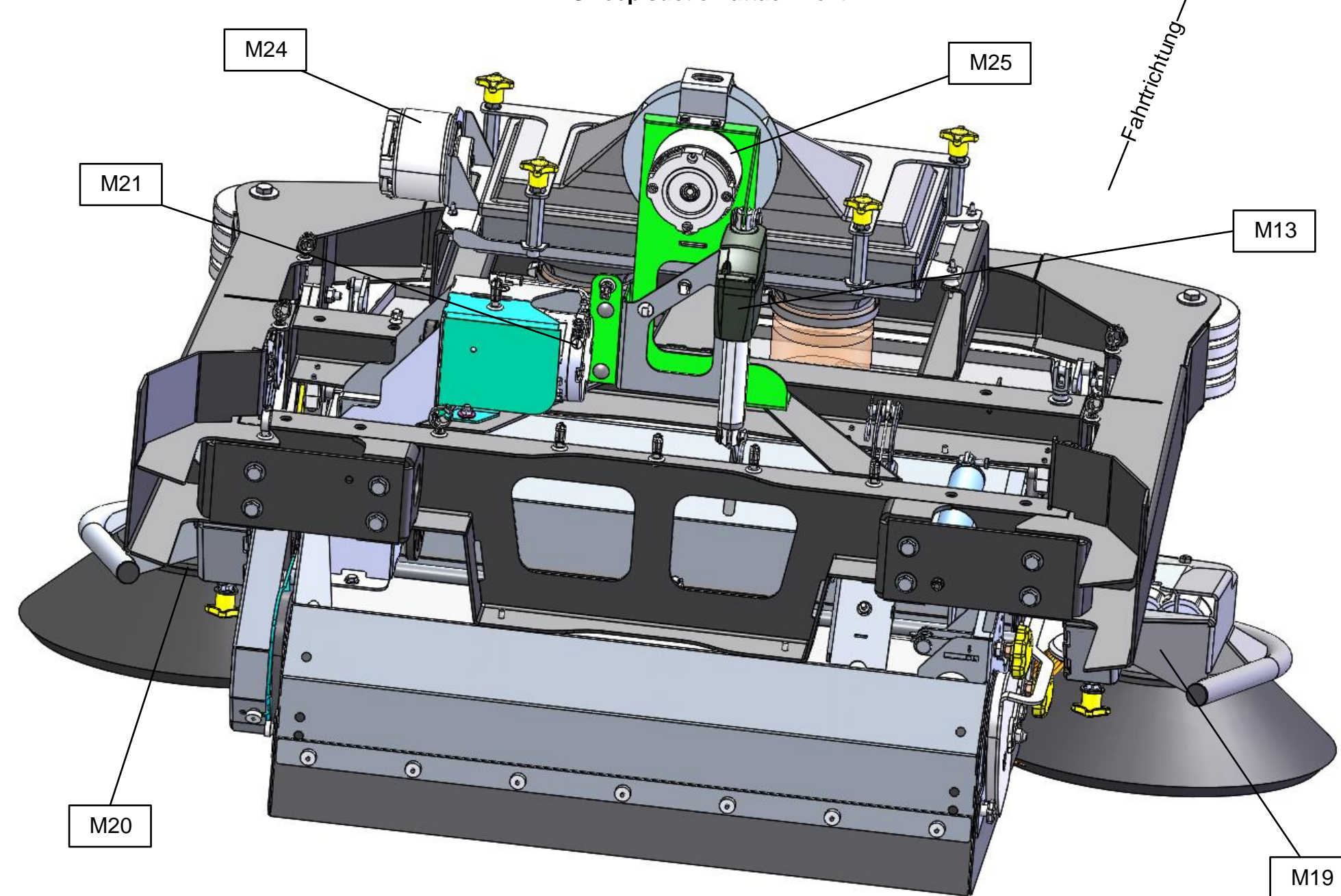


Freigabevermerk:		1	*/	4320-82	08.12.2020	Ri	Date	Name	B400 R	Name	Hako		Drawing Number	A2
							Drawn	08.11.2019	Ri	Schaltplan B400 R / circuit diagram B400 R		Hako GmbH	91040360	
							Verified			Replacement for		D-23840 Bad Odesloe		
										4315-65		Engineering Base 6.9.1	No. of Sh. 27	Sheet 25
										For this drawing we reserve all rights (acc. DIN ISO 16016)				
		No.	Number appears	Change No.	Date	Name	Std.					Type 7437	Dept. DS	

Kehr-Saugvorsatz mit Hochentleerung
Sweep suction attachment with can emptying



Kehr-Saugvorsatz
Sweep suction attachment



Kabelbäume:

①

W1: 97153803	W58: 97160253	W76: 97164495
W3: 97154884	W59: 97160261	W77: 97164503
W4: 97161780	W60: 97171110	W78: 97166573
W5: 97154918	W63: 97155014	W79: 97162846
W10: 97155246	W64: 97160808	WS2: 97153811
W18: 97155311	W65: 97155337	WS3: 97168744
W19: 97155329	W66: 97154231	WS4: 97154082
W28: 97155238	W68: 97154934	WS6: 97145916
W29: 97145791	W72: 97162796	WS9: 97153837
W30: 97162697	W74: 97163257	WS19: 97155022
	W75: 97163331	WS68: 97160907

Freigabevermerk:

No.	Number appears	Change No.	Date	Name	Std.
1	1x	4320-82	08.12.2020	Ri	

B400 R

Replacement for
4315-65

Name

Schaltplan B400 R / circuit diagram B400 R

For this drawing we reserve all rights (acc. DIN ISO 16016)



Hako GmbH
D-23840 Bad Oldesloe

Drawing Number

91040360

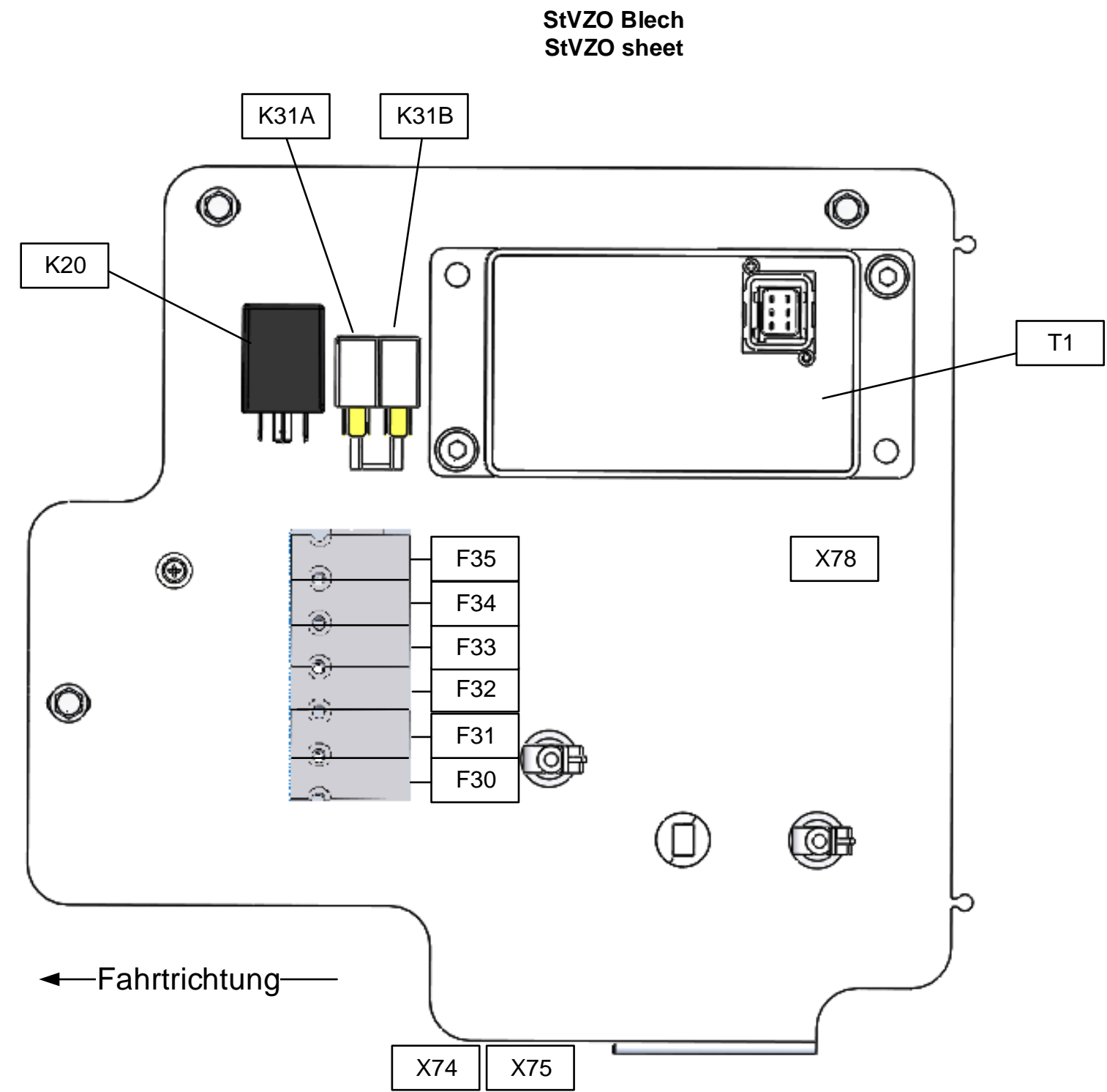
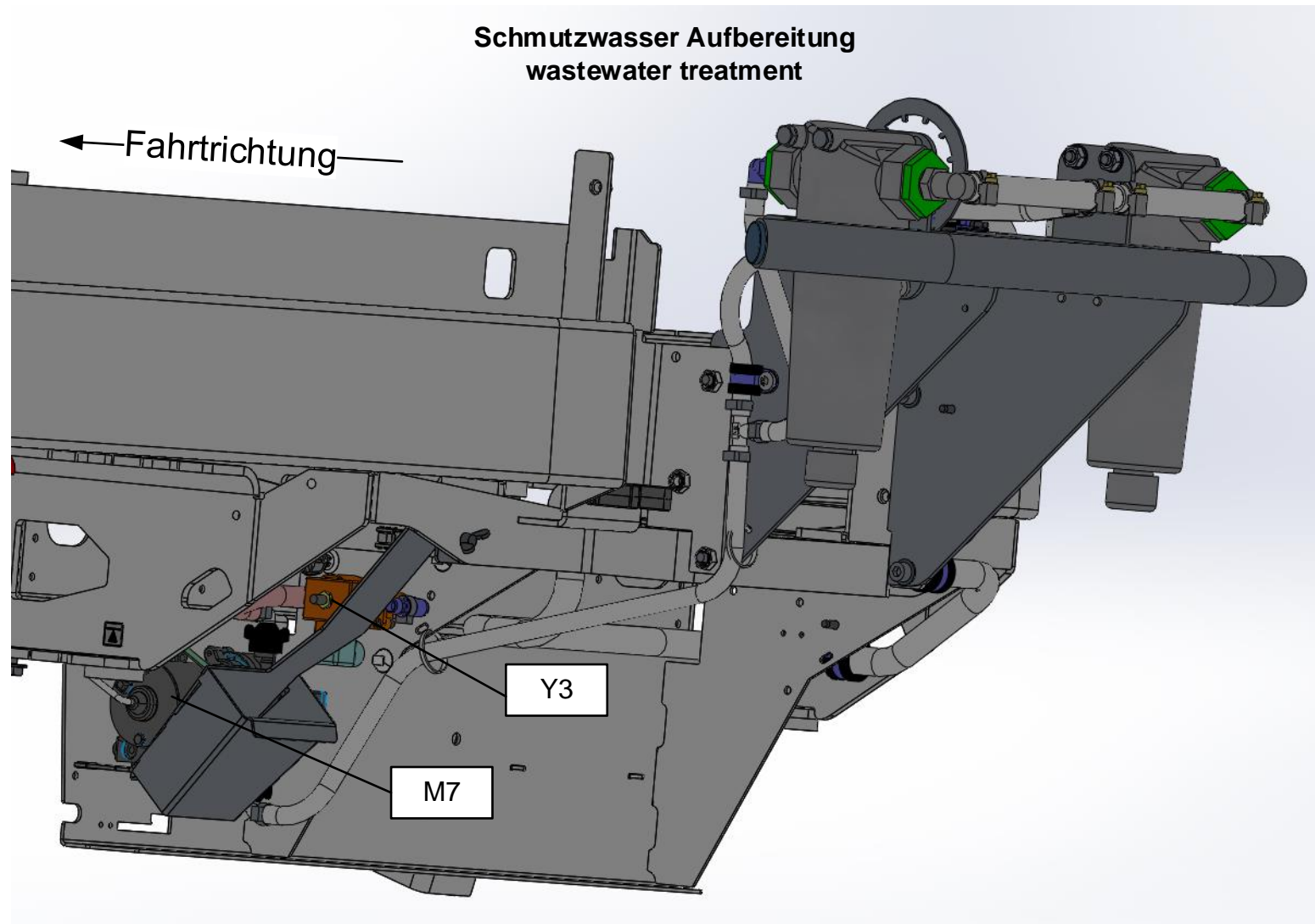
No. of Sh. 27


A2

Sheet 26

Engineering Base 6.9.1

Type 7437 Dept. DS



Freigabevermerk:		1	*/*	4320-82	08.12.2020	Ri	Drawn	03.12.2020	Ri	B400 R		Name		Schaltplan B400 R / circuit diagram B400 R		 Hako GmbH D-23840 Bad Oldesloe		Drawing Number		A2
		No.	Number appears	Change No.	Date	Name	Std.			Replacement for		For this drawing we reserve all rights (acc. DIN ISO 16016)		Engineering Base 6.9.1		Type 7437	Dept. DS	No. of Sh. 27	Sheet 27	
										4315-65										